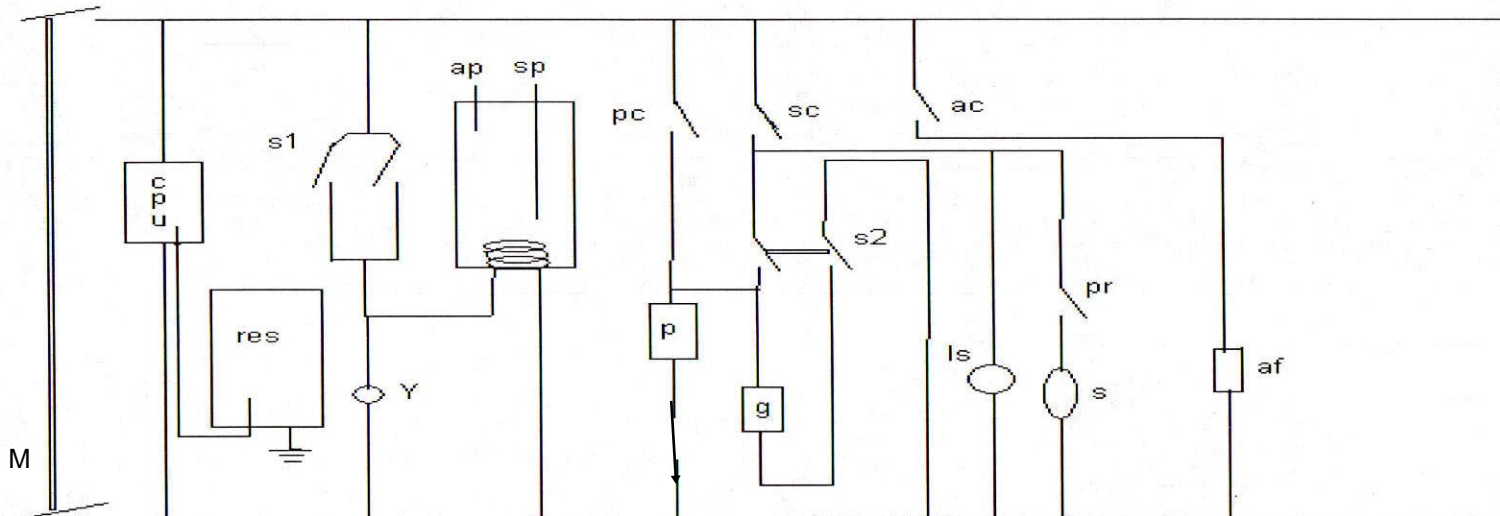


# Livia Semi Auto

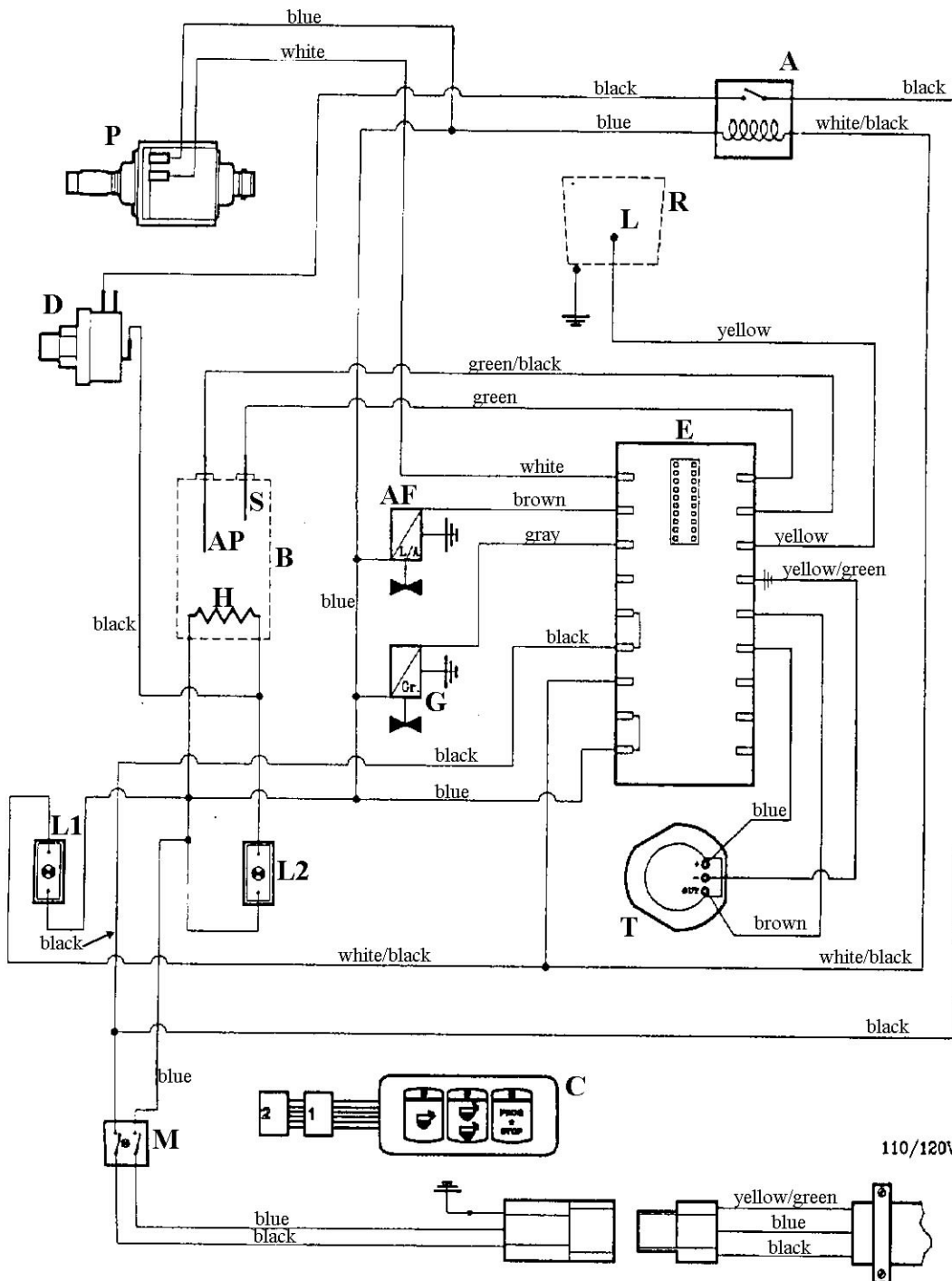
All Units with serial numbers starting with "LS"  
January 2004



## Legend: Principle Electrical Drawing Model LS 90

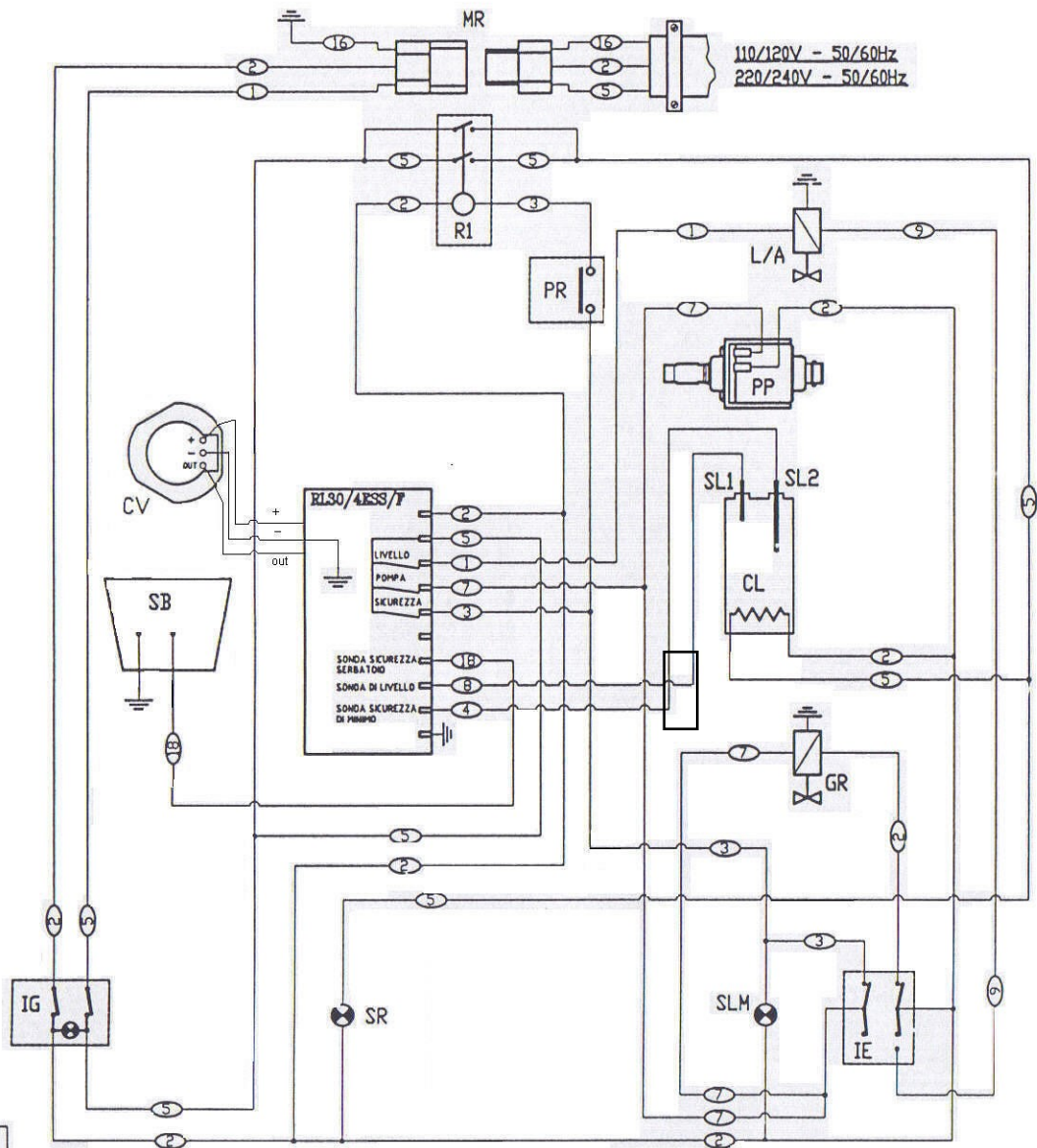
S1 = safty switch	S2=brew switch
AP= autofill probe	LS=green safety light
SP= safety low water probe	AF=autofill solinoid valve
PC=pump switch from cpu	PR=presurstat
SC= safety relay switch from cpu	S=safety relay coil
AC=autofill solinoid switch from cpu	
Cpu=Control box	
RES= water tank	
Y=amber heating light	
P=pump	
G=group solinoid valve	

# LIVIA "AUTOMATIC" ELECTRICAL SCHEMATIC



## LEGEND

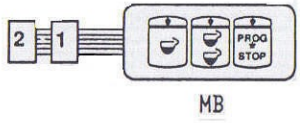
- A- Safety Relay
- AF- Auto Fill Solinoid Valve (2 way)
- AP- Auto Fill Level Probe
- B- Boiler
- C- Brew "Touch Pad"
- D- Pressurestat
- E- Electronic Box
- G- Group Solinoid Valve (3 way)
- H- Heating Element
- L- Reservoir Tank Probe
- L1- Heating Indicator Lamp
- L2- Safety Lamp
- M- Main "On-Off" Switch
- P- Pump
- R- Reservoir Tank
- S- Boiler Safety Probe
- T- Turbine
- V-Expansion valve



Machines from Jan, 2004 with "LA" in front of serial number

**LEGEND- APRIL 2004**

- CL-BOILER
- GR-GROUP SOLENOID VALVE
- IG-MAIN SWITCH
- IE-BREW SWITCH
- L/A-AUTOFILL SOLENOID
- MR-STRAIN RELIEF
- PP-PUMP
- PR-PRESSOSTAT
- RL-ELECTRONIC
- R1-RELE
- SB-RESERVIOR PROBE
- SLM-SAFETY LIGHT
- SL1-AF PROBE
- SL2-BOILER SAFETY PROBE
- SR-HEATING LIGHT
- CV-flowmeter
- MB-touchpad



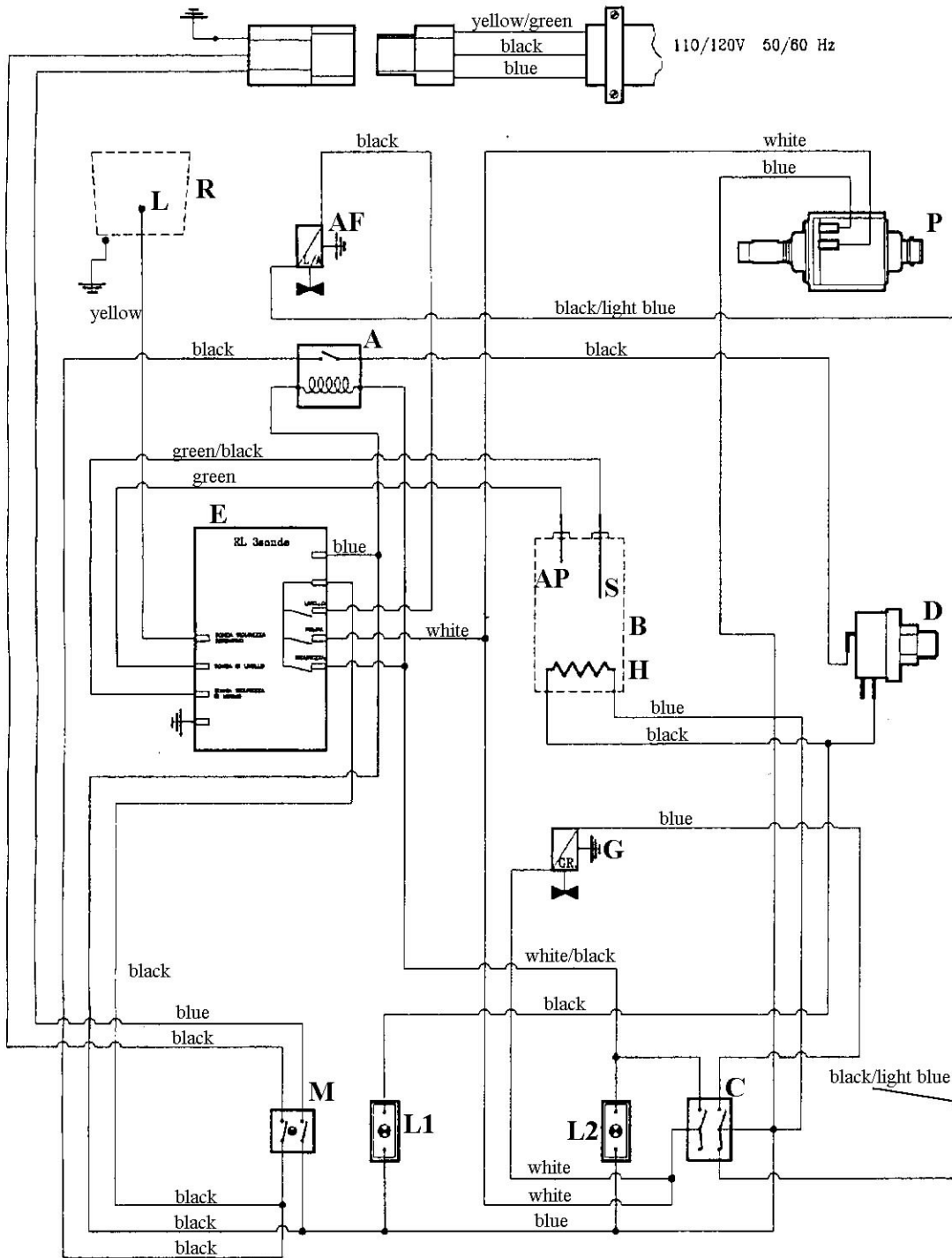
Arancione  
Orange  
Anaranjada  
(18)

Marrone Marron Brown	Blu Bleu Blue	Rosso Rouge Red	Verde Vert Green	Nero Noir Black	Grigio Gris Grey	Bianco Blanc White	Giallo Jaune Yellow	Viola Violet Violet	Rosso/Nero Rouge/Noir Red/Black	Verde/Nero Vert/Noir Green/Black	Bianco/Nero Blanc/Noir White/Black	Giallo/Nero Jaune/Noir Yellow/Black	Marrone/Nero Marron/Noir Brown/Black	Bianco/Rosso Blanc/Rouge White/Red	Giallo/Verde Jaune/Vert Yellow/Green	Nero/Azzurro Noir/Bleu Black/Blue
1	2	3	4	5	6	7	8	9	10	11	12	13	14	15	16	17

VERIFICATO DA: <b>G PASQUINI</b>	APPROVATO DA:	DATA: <b>APRIL-04</b>	RIFERIMENTO PRECEDENTE: <b>9941509.01-N</b>
<b>LIVIA LA Automatic 110 OR 220 ELECTRONIC BOX RL-30, GICAR BOILER FILL, SAFETY, RES. SAFETY</b>			EDIZIONE
			CODICE: <b>9941509.02-N</b>

LA SOCIETA' SI SERVA A TERMINI DI LEGGE LA PROPRIETA' DEL PRESENTE DISEGNO CON DIVIETO DI RIPRODURLO O COMUNICARLO A TERZI SENZA AUTORIZZA:

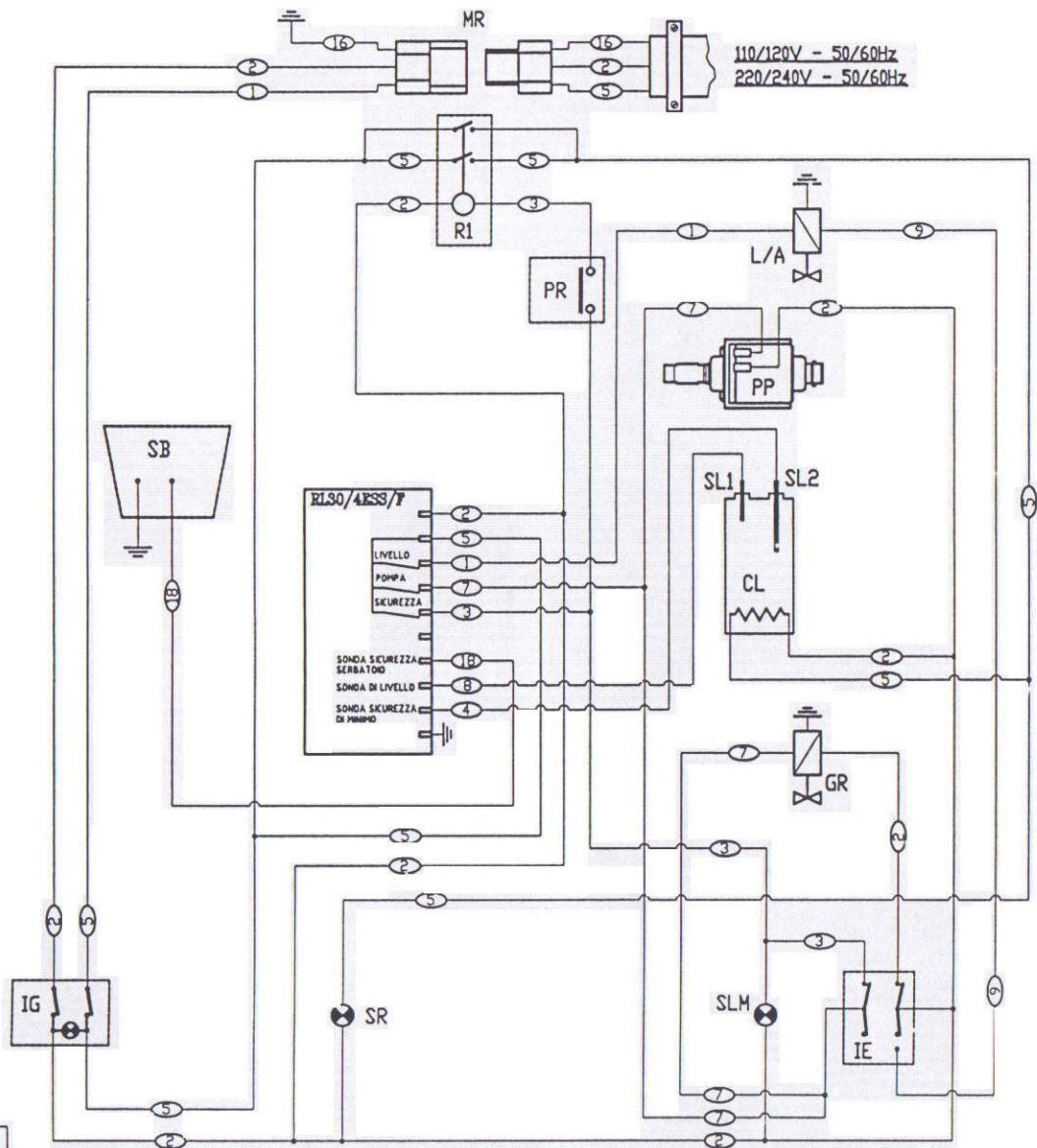
# LIVIA "S" ELECTRICAL SCHEMATIC



## LEGEND

- A- Safety Relay
- AF- Auto Fill Solinoid Valve (2 way)
- AP- Auto Fill Level Probe
- B- Boiler
- C- Brew Switch
- D- Pressurestat
- E- Electronic Box
- G- Group Solinoid Valve (3 way)
- H- Heating Element
- L- Reservoir Tank Probe
- L1- Heating Indicator Lamp
- L2- Safety Lamp
- M- Main "On-Off" Switch
- P- Pump
- R- Reservoir Tank
- S- Boiler Safety Probe





Machines from Jan, 2004  
with "LS" in front of serial  
number

- LEGEND- APRIL 21**
- CL-BOILER
  - GR-GROUP SOLENOID V/
  - IG-MAIN SWITC
  - IE-BREW SWITC
  - L/A-AUTOFILL SOLEN/
  - MR-STRAIN RELII
  - PP-PUMP
  - PR-PRESSOST/
  - RL-ELECTRONI
  - R1-RELE
  - SB-RESERVIOR PRC
  - SLM-SAFETY LIGI
  - SL1-AF PROBI
  - SL2-BOILER SAFETY PR
  - SR-HEATING LIGI

Se # LS...  
New Heating system, 2 pole  
relay, mAmp pressostat.

Arancione  
Orange  
Anaranjada  
(18)

Marrone	Blu	Rosso	Verde	Nero	Grigio	Bianco	Giallo	Viola	Rosso/Nero	Verde/Nero	Bianco/Nero	Giallo/Nero	Marrone/Nero	Bianco/Rosso	Giallo/Verde	Nero/Azzurro
Marron	Bleu	Rouge	Vert	Noir	Gris	Blanc	Jaune	Violet	Rouge/Noir	Vert/Noir	Blanc/Noir	Jaune/Noir	Marron/Noir	Blanc/Rouge	Jaune/Vert	Noir/Bleu
Brown	Blue	Red	Green	Black	Grey	White	Yellow	Violet	Red/Black	Green/Black	White/Black	Yellow/Black	Brown/Black	White/Red	Yellow/Green	Black/Blue
Braun	Blau	Rot	Gruen	Schwarz	Grau	Weiss	Gelb	Violett	Rot/Schwarz	Gruen/Schwarz	Weiss/Schwarz	Gelb/Schwarz	Braun/Schwarz	Weiss/Rot	Gelb/Gruen	Schwarz/Blau
Castano	Azul	Rojo	Verde	Negro	Gris	Blanco	Amarillo	Violeta	Rojo/Negro	Verde/Negro	Bianco/Negro	Amarillo/Negro	Castano/Negro	Bianco/Rojo	Amarillo/Verde	Negro/Azul
(1)	(2)	(3)	(4)	(5)	(6)	(7)	(8)	(9)	(10)	(11)	(12)	(13)	(14)	(15)	(16)	(17)

VERIFICATO DA: <b>G PASQUINI</b>	APPROVATO DA:	DATA: <b>APRIL-04</b>	RIFERIMENTO PRECEDENTE: <b>9941509.01-N</b>
LIVIA 90 SEMI-AUTO 110 OR 220 <b>ELECTRONIC BOX RL-30, GIC BOILER FILL, SAFETY, RES. SAF</b>			EDIZIONE: CODICE: <b>9941509.02-N</b>