

CONTENTS

| | |
|-------------------------------------|----------|
| 1) Foreword | pagina 2 |
| 2) Dimensions | 2 |
| 3) General description | 2 |
| 4) Packaging | 2 |
| 5) Disposal | 3 |
| 6) Use | 3 |
| 7) Installation | 3 |
| 8) Operation of the appliance | 3 |
| 9) Warnings | 4 |
| 10) Maintenance | 4 |
| 11) Cleaning the appliance | 4 |

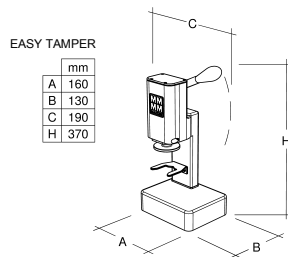
1) FOREWORD

Read this manual from cover to cover before using the appliance as it contains important instructions for the safety, operation and maintenance of the appliance.

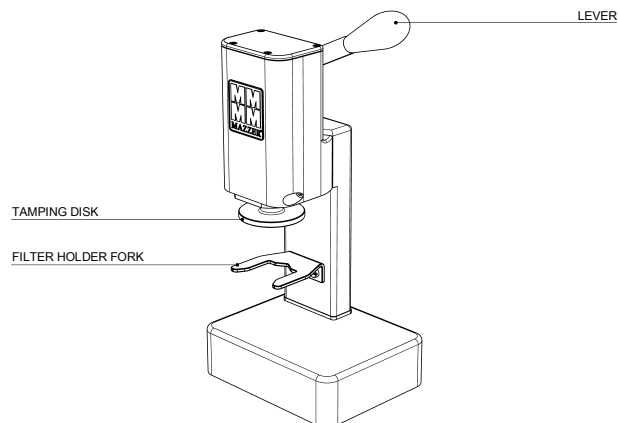
Look after this manual and keep it in a safe place.

The manufacturer reserves the right to make changes to the product and to the manual.

2) DIMENSIONS



3) GENERAL DESCRIPTION



4) PACKAGING

On opening the packaging, check carefully to make sure the appliance is intact and that there are no signs of damage. If in any doubt, do not use the unit and contact personnel with the appropriate professional skills.

The packaging materials must be kept out of the reach of children as they represent a potential source of danger.

Keep the packaging until the warranty has expired.

5) DISPOSAL

Do not litter: dispose of the packaging materials according to the laws in force. Contact specialized firms for information on the disposal of the components of the appliance.

6) USE

This appliance has been designed SOLELY for tamping ground coffee. Any other use is understood to be improper, and consequently hazardous. The manufacturer cannot be held responsible for any damage as a result of improper or incorrect use.

Do not use the appliance for tamping other types of food, or anything else.

THE APPLIANCES MANUFACTURED BY OUR COMPANY ARE INTENDED FOR SKILLED PERSONNEL ONLY FOR PROFESSIONAL USE AND **NOT FOR HOUSEHOLD USE**. The user must be an adult.

Do not allow children or incapable persons to use the appliance.

7) INSTALLATION

The appliance must be installed by skilled technical personnel in conformity with the safety rules in force. Incorrect installation may result in injury of persons or animals, or damage to property, for which the manufacturer cannot be held responsible.

- The appliance must be placed on a stable, flat surface (we recommend to install the appliance at an height between 80 and 100 cm from the floor).
- The appliance is suitable for indoor use only. Do not use the appliance outdoor.
- Thoroughly clean the appliance at the first installation; follow the instructions in chapter 11.

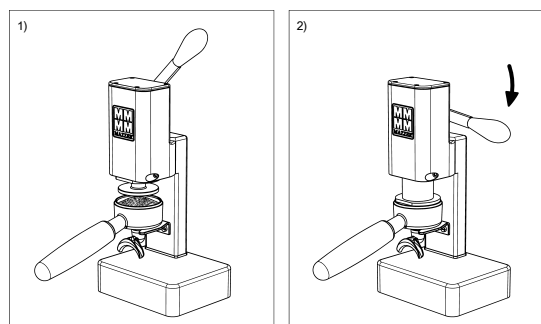
8) OPERATION OF THE APPLIANCE

For the correct operation of the appliance verify that the diameter of tamping disk matches to the diameter of filter holder used.

TAMPING

Place the filter holder under the compacting disk (1), pull down the lever until the disk touches the filter holder edge (2). There is no need to force the lever over this stroke.

Once the tamping disk touches the filter holder edge, release the lever gently to its upwards stroke.



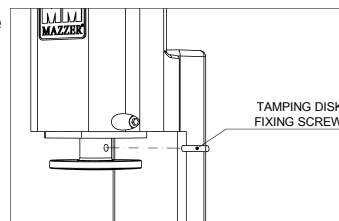
REPLACING THE TAMPING DISK

For the correct coupling with the filter holder of your espresso machine, the tamping device can be purchased choosing from 3 different diameter of the tamping disk: 53 - 54.5 - 57.5 mm (2 ⁵/₆₄ - 2 ⁹/₆₄ - 2 ¹⁷/₆₄ inches).

Even after purchase of the appliance, you can replace the tamping disk, with another one of different diameter, by purchasing of the relevant spare part. This operation must be done by skilled technical personnel only.

In order to replace the tamping disk proceed as follow:

- remove the tamping disk fixing screw;
- slip off the tamping disk pulling it downward and replace it with the one of the desired diameter;
- fix the tamping disk by screwing the fixing screw.



9) WARNINGS

This electrical appliance must be used in conformity with the rules in force governing safe operation.

- THE USER IS NOT AUTHORIZED TO REMOVE SCREWS OR ANY PARTS SCREWED ONTO THE APPLIANCE.
- In the event the appliance is not working properly or is faulty, contact skilled technical personnel, and do not attempt to make repairs yourself.
- Do not tamper with the appliance.

The manufacturer cannot be held responsible for bodily injury or damage to property if these regulations are not complied with.

10) MAINTENANCE

In order to assure the lasting efficiency of the appliance, skilled technical personnel must be called in to perform periodical maintenance, including detailed checks of the state of those components subject to wear.

11) CLEANING THE APPLIANCE

THE APPLIANCE MUST BE CLEANED PERIODICALLY.

THE APPLIANCE MUST NOT BE CLEANED USING WATER JETS. Do not install the appliance in rooms where water jets are used for cleaning.

Use perfectly clean, disinfected cloths or brushes for cleaning.

Do not use abrasive products as these are liable to take the sheen off shiny parts.

Mazzer Luigi srl

All right reserved. It is prohibited to reproduce, adapt or translate this document without prior written authorization.

First Edition: ET01 10/2013