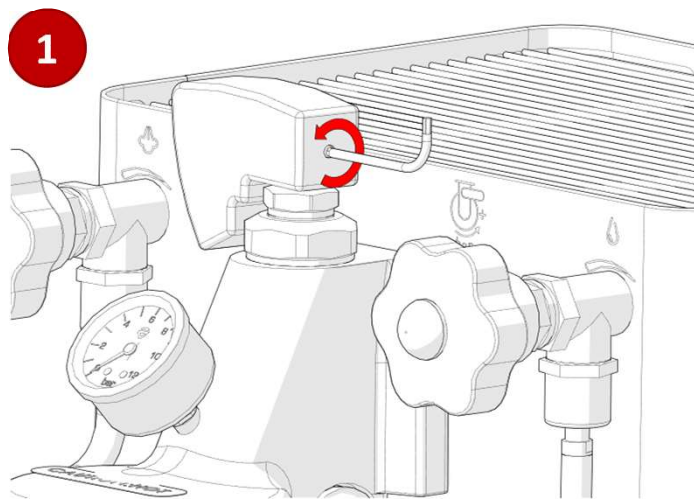
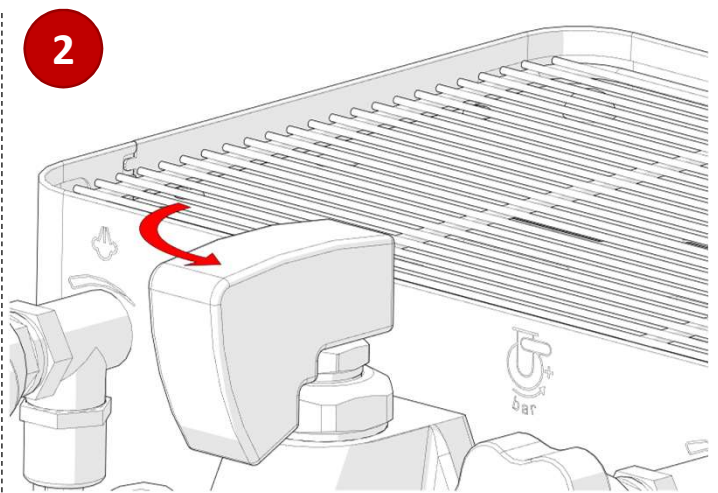


WATER FLOW RATE ADJUSTMENT (BIANCA – PL162T MACHINE)

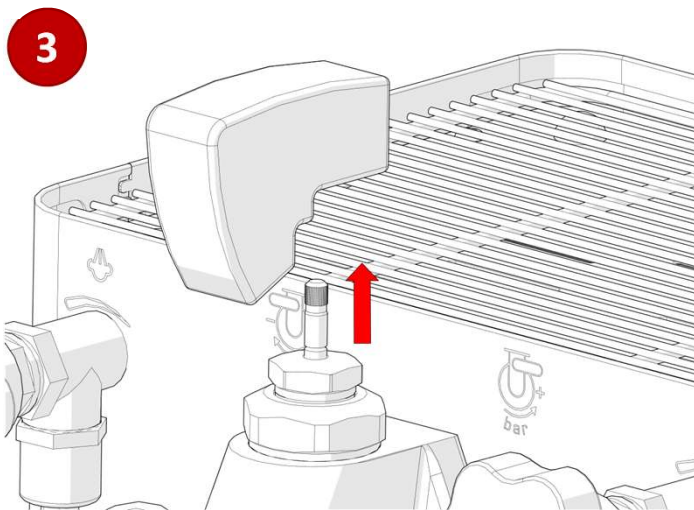
- Before starting the procedure, make sure that the machine is turned off and that it is not at high temperature to avoid risk of burns.



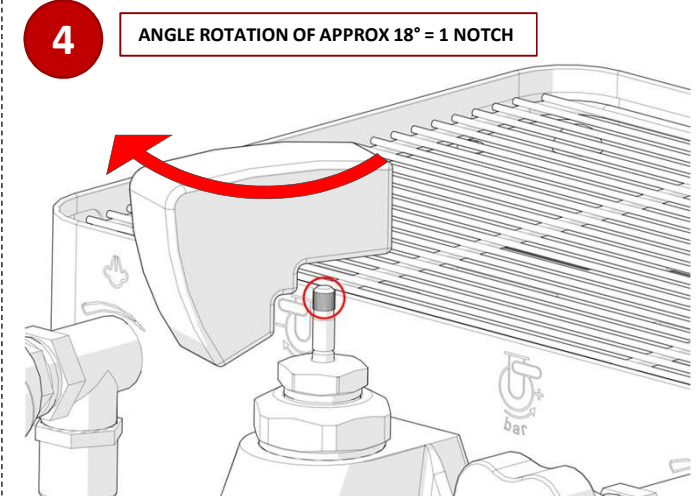
With the paddle completely to the left position, loosen the locking screw by using an allen key 2mm size.



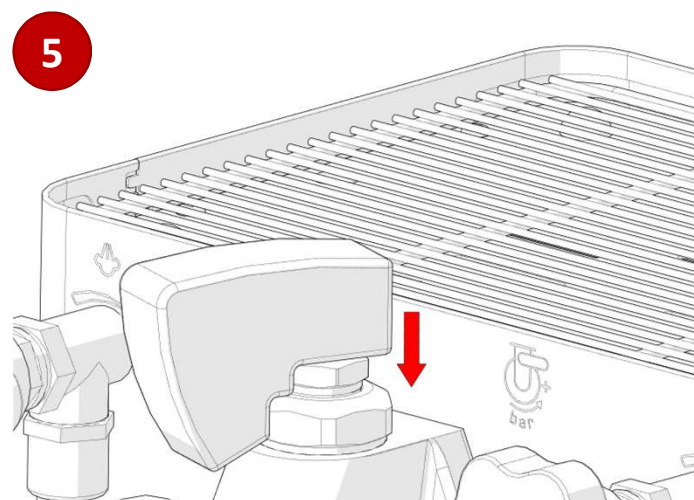
Rotate the paddle approx. in the middle position.



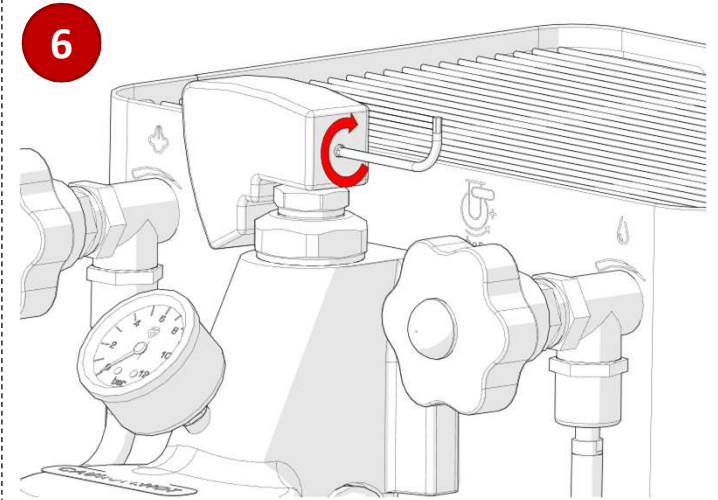
Lift up the paddle.



Rotate the paddle clockwise of 1 or more notches.
(By moving the paddle of 1 notch, the water flow rate will increase approx. 1ml/sec.)



Reinsert the paddle on the shaft.



Screw the locking screw by using an allen key 2mm size.