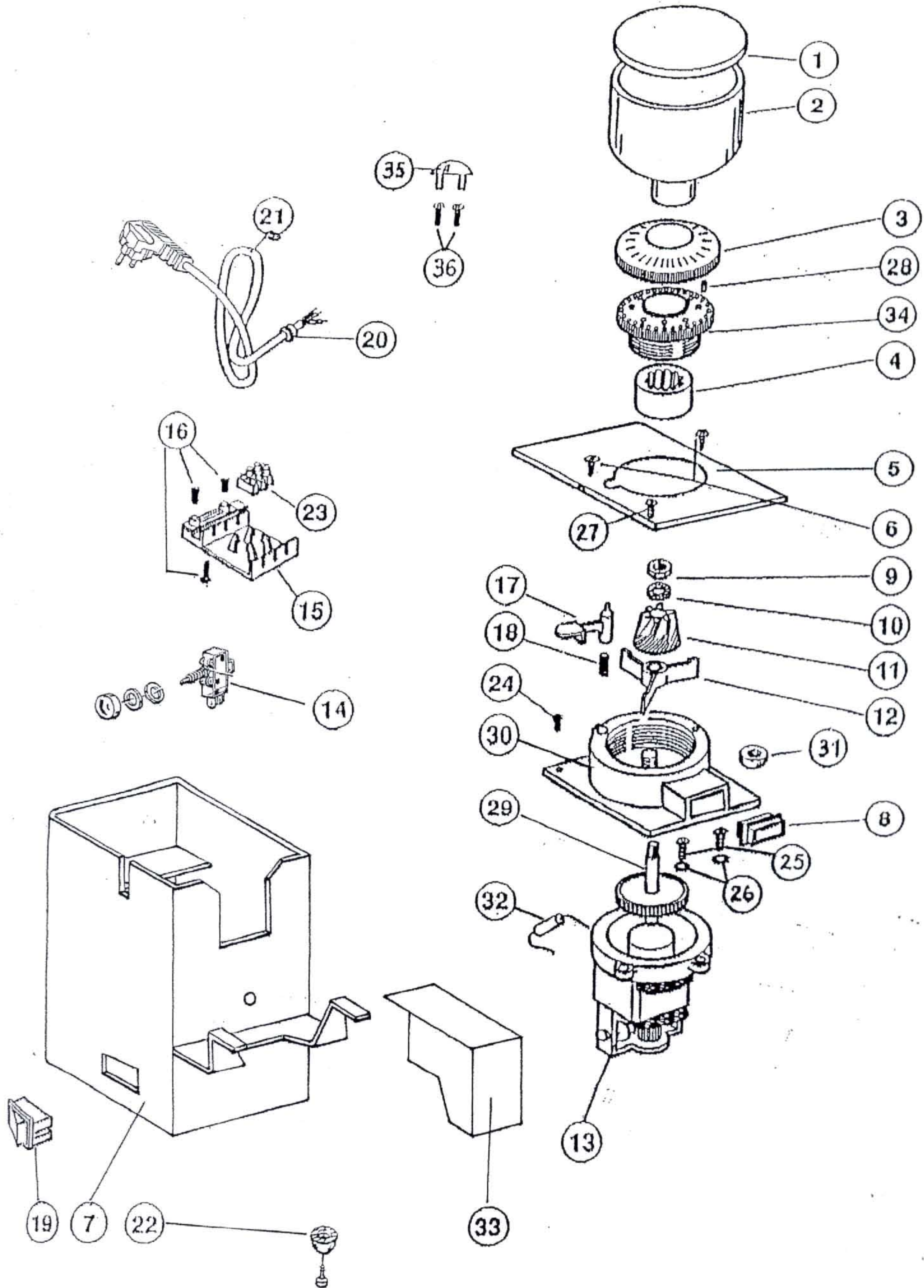


MACININO PROF. INOX



ISOMAC s.r.l.
SPARE PARTS COFFEE GRINDER V230

N°	COD.ART.	DENOMINAZIONE	
1	000436	SMALL PLASTIC COVER	
2	000435	SMALL HOPPER WITH FINFER GUARD	
3	000438	NUMBERED RING	
4-11	000437	SET-GRINDING BLADES	
5	000765	COFFEE GRINDER INOX COVER	
7	000763	CHASSIS COFFEE GRINDER	
8	000457	PLASTIC CHUTE	
9	000468	LEFT NUT	
10	000469	WASHER	
12	000451	STAR DOSING PADDLE	
13	000444	ENGINE COFFEE GRINDER V 220	
14	000770	TANK SWITCH	
15	000277	UNDER CONNECTING TERMINAL	
16/27	000278	SCREW 2,9X13	
17	000439	CATCH MM 33	
18	000443	CATCH SPRING	
19	000104	POWER SWITCH ON/OFF	
20	000301	PASS-CABLE	
21	000636	CABLE	
22	000264	RUBBER FOOT	
23	000276	CONNECTING TERMINAL	
24	000419	SCREW 3,9X16 TC	
25	000418	SCREW M4X20	
26	000101	WASHER	
28	000475	SCREW	
29	000441	DRIVE GEAR	
30	000448	LOWER GRINDING BLADES HOLDER	
31	000455	BEAROING	
32	000219	CONDENSER-FILTER	
33	000766	INOX CHUTE	
34	000447	UPPER GRINDING BLADES HOLDER	
35	000238	FINGER GUARD	
36	000218	SCREW 2,9X19	
	000191	BOX	
	000222	INSTRUCTIONS	