



CASA



Ersatzteile
Parti di Ricambio

Drawing 01

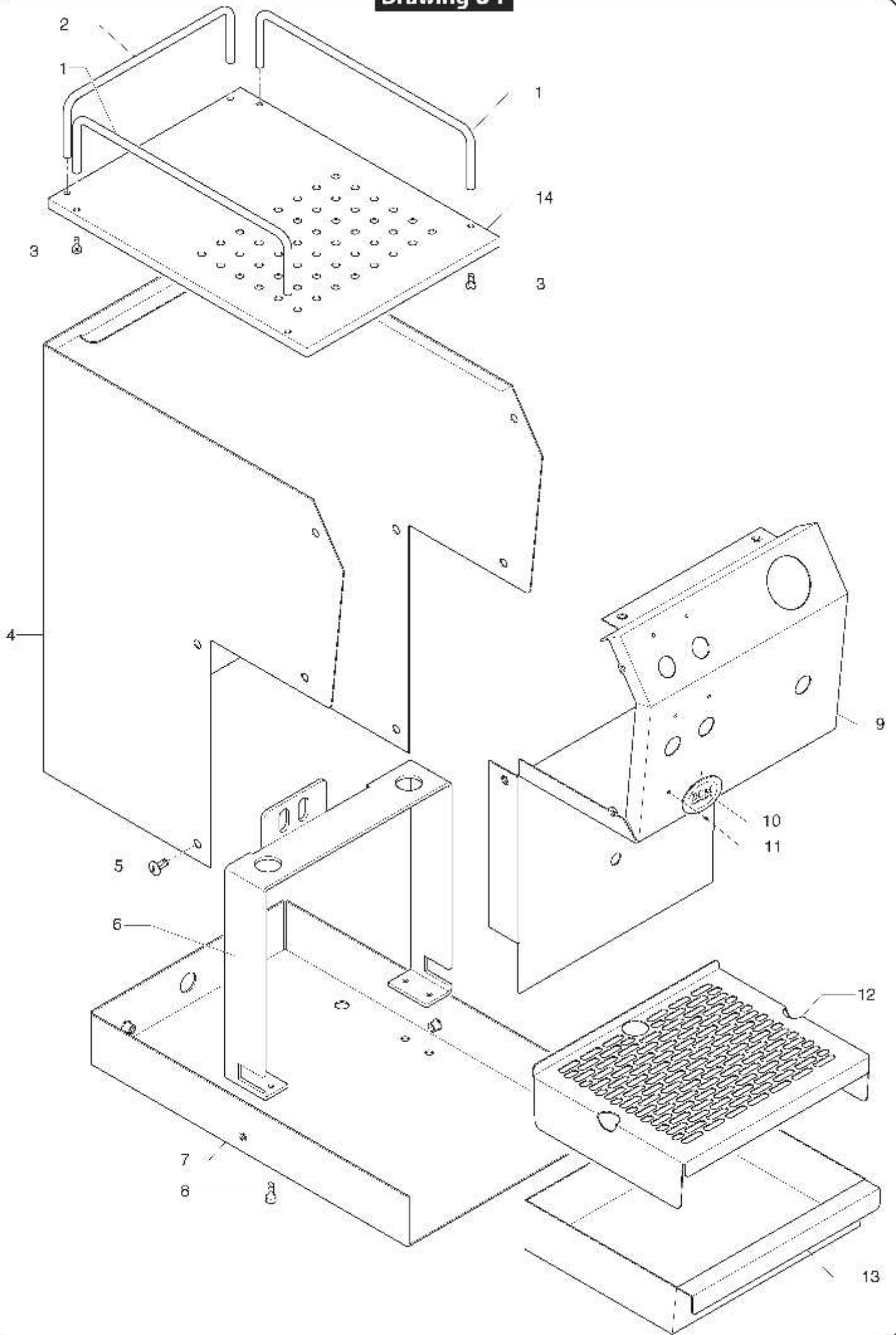


Table 1

Pos.	Artikelnr./ item no./ num.art.	Bezeichnung	Description	Descrizione	Preis/ price/ prezzo in €
1	P3002	Reling gerade	Rail straight	Spondina/ Ringhierina piana	9,90
2	P9028	Reling kurz Classika	Rail short Classika	Spondina corta Classika	9,90
3	B7826212	Schraube Zylinder M4x6 VA	Screw cylinder M4x6 VA	Vite TCI M4x6 VA	0,21
4	P9102	U-Gehäuse Casa IV	Body U-shape Casa IV	Fascione Casa IV	99,90
5	P8050	Schraube M5x10 Linse mit Inbus	Screw M5x10 lens-head hexagon socket	Vite M5x10 lucida bombata	0,30
6	P9104	Halterung Kessel Casa IV	Fitting boiler Casa IV	Staffa supporto Casa IV	40,20
7	P9100	Bodenplatte Casa IV	Base Casa IV	Base Casa IV	53,60
8	P2008	Schraube Linse In M5x8	Screw lens-head In M5x8	Vite M5x8 bombata	0,28
9	P9101	Frontblech Casa IV	Front panel Casa IV	Frontalino Casa IV	59,90
10	81200	Emblem ECM Casa	Label ECM Casa	Emblema Casa IV	9,95
11	P1998	Blindniete Flachrundkopf 2,4x12 alu	Blind rivet truss head 2.4x12 alu	Rivetto 2.4x12 alu	0,10
12	P9107	Gitter Wasserauffangschale Casa IV	Grid drip tray Casa IV	Griglia bacinella Casa IV	39,50
13	P9106	Wasserauffangschale Casa IV	Drip tray Casa IV	Bacinella scarico Casa IV	96,90
14	P9105	Tassenablage oben Casa IV	Upper cup warmer tray Casa IV	Appoggiatezze superiore Casa IV	49,90

Drawing 02

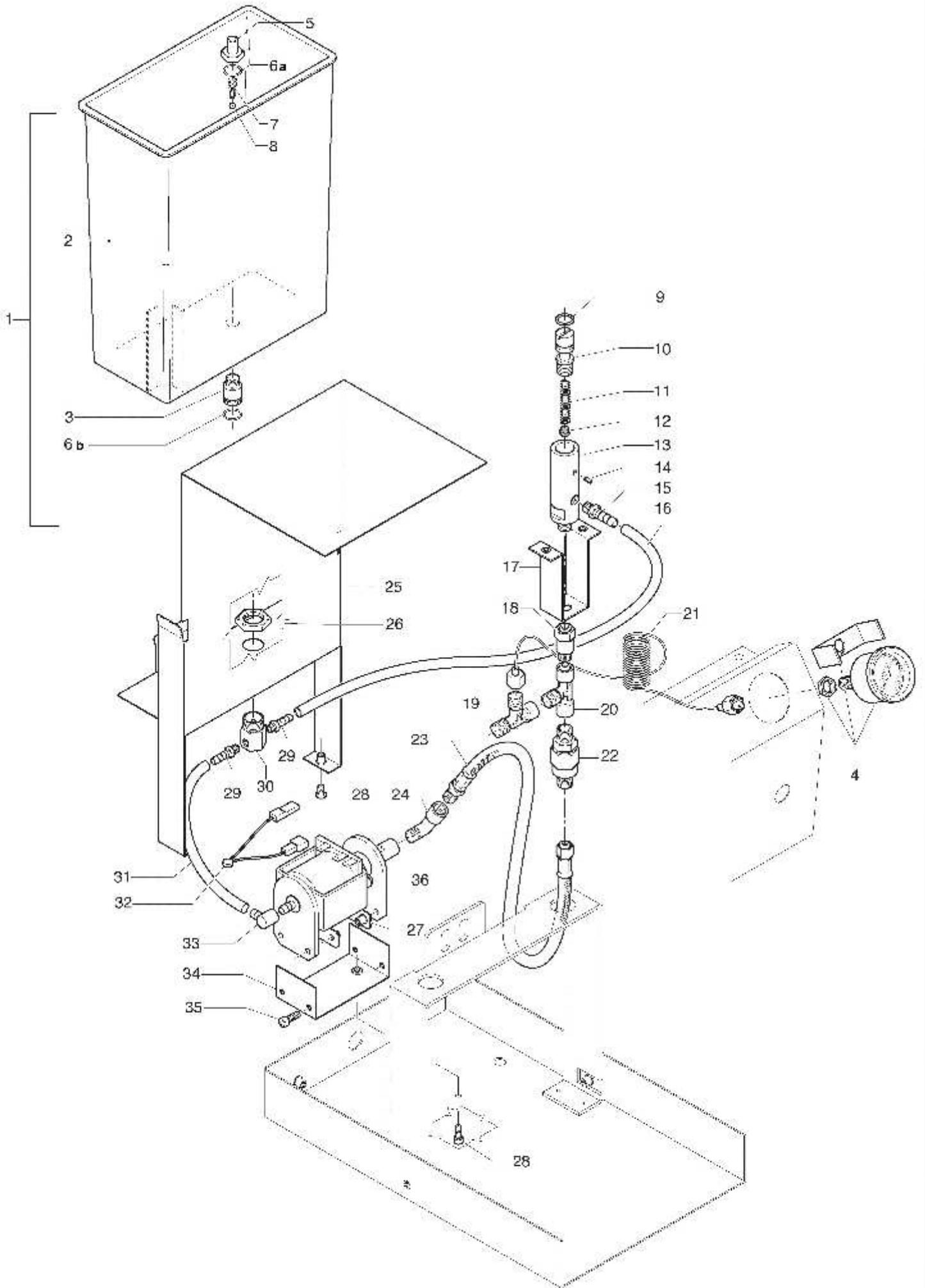


Table 2

Pos.	Artikelnr./ item no./ num.art.	Bezeichnung	Description	Descrizione	Preis/ price/ prezzo in €
1	P9010.K2	Wassertank Casa komplett Edelstahl	Water tank Casa complete stainl. steel	Serbatoio Casa completo	45,00
2	P9010	Wassertank Casa/Classika Rohling	Water tank Casa/Classika	Serbatoio Casa/Classika	25,00
3	P6017.N	Wassertankadapter oben Edelstahl	Upper water tank adapter stainl. steel	Portagomma serbatoio superiore inox	4,95
4	B7432517	Pumpenmanometer	Pump pressure gauge	Manometro pompa	28,07
5	P6020.N	Wassertankadapter Mitte Edelstahl	Water tank adapter middle stainl. steel	Portagomma medio serbatoio inox	6,95
6a	P6020.3	OR Wassertankadapter 13.94x2.62 Kunststoff	OR water tank adapter 13.94x2.62 plastics	OR portagomma serbatoio 13.94x2.62 plastica	0,29
6b	B7496076	Dichtung OR 112 EPDM 70 SH	Gasket OR 112 EPDM 70 SH	Guarnizione OR 112 EPDM 70SH	0,65
o.Abb.	P6025	Dichtung Wassertank Kunststoff Mitte	Gasket for water tank plastic		0,10
7	P6023	Feder Wassertank	Spring water tank	Molla serbatoio	1,25
8	B5471509	Kugel 7/32" AISI 304	Ball 7/32" AISI 304	Sfera inox 7/32" AISI 304	0,45
9	P7000.5	OR Expansionsventil 9.92x2.62 OR112	OR expansion valve 9.92x2.62 OR112	OR valvola esp. 9.92x2.62 OR112	0,65
10	P7000.2	Druckjustage Expansionsventil	Pressure adjustment expansion valve	Vite valvola espansione sopra	10,95
11	P7000.3	Feder Expansionsventil	Spring expansion valve	Molla valvola espansione	0,90
12	P7000.4	Gummistöpsel für Expansionsventil	Rubber plug for expansion valve	Tappo gomma per valvola espansione	0,65
13	P7000.1	Grundkörper Expansionsventil	Body expansion valve	Corpo valvola espansione	15,25
14	P7000.6	Gewindestift M3x6 Innensechskant	Grub screw M3x6 hexagon socket	Grano M3x6 V2 brugola	0,11
15	P6052	Anschluss Silikon 1/8"x6	Connector silicone 1/8"x6	Portagomma conico 1/8"x6	4,90
16	C499900769	Silikonschlauch 8x5	Tube silicone 8x5	Tubo silicone 8x5	5,06
17	P9026	Blechhalterung Expansionventil	Metal fitting expansion valve	Staffa valvola espansione	10,95
18	P2047	Verlängerung 1/8"M-1/8"F 22 mm	Extension 1/8"M-1/8"F 22 mm	Prolunga 1/8"M-1/8"F 22 mm	1,12
19	C229900644	T-Stück 1/8"MMF	T connector 1/8"MMF	Raccordo a T 1/8"MMF	5,00
20	C229900703	T-Stück 1/8"FMF	T connector 1/8"FMF	Raccordo a T 1/8"FMF	5,00
21	P6051	Kapillarrohr Pumpenmanom.1m 1/8"-1/8"	Capill. tube pump p. gauge 1m 1/8"-1/8"	Tubo capillare 1m 1/8"-1/8"	3,95
22	C229900548	Rückschlagventil 1/8"MM	Non-return valve 1/8"MM	Valvola non ritorno 1/8"MM	10,52
23	P8012	Metallschlauch flex. 17 cm 1/8"M-1/8"F	Metal tube flex. 17 cm 1/8"M-1/8"F	Tubo flex 17 cm 1/8"M-1/8"F bombata	8,90
24	P9014	L-Verbindungsstück 1/8"M-1/8"F	L connector 1/8"M-1/8"F	Raccordo L 1/8"M-1/8"F	4,16
25	P9103	Abdeckung innen Casa IV	Cover inside Casa IV	Copertura interna Casa IV	53,60
26	P6020.K3	Mutter M20 Wassertank	Nut M20 water tank	Dado portagomma serb.	3,45
27	P3004	Blechbügel Pumpenhalterung	Metal clamp pump fitting	Staffa supporto pompa	2,45
28	P2008	Schraube Linse In M5x8	Screw lens-head In M5x8	Vite bombata A2 M5x8	0,28
29	P6052	Anschluss Silikon 1/8"x6	Connector silicone 1/8"x6	Portagomma conico 1/8"x6	4,90
30	P6020.K4	Fitting Wassertank M20	Fitting water tank M20	Portagomma serbatoio inferiore	3,45
31	C499900769	Silikonschlauch 8x5	Tube silicone 8x5	Tubo silicone 8x5	5,06
32	C199900969	Thermostat Pumpe	Thermostat pump	Termoprotettore pompa	4,06
33	C449900709	Pipette Auslass Expansionsventil	Pipette outlet expansion valve	Pipetta santoprene scarico espansione	0,70
34	P3006	Blechhalterung Pumpe L	Metal fitting pump L	Staffa supporto pompa L	2,80
35	P2007	Schraube Zyl In M5x10	Screw cylinder In M5x10	Vite Cilindro A2 M5x10	0,30
36	C249900770	Halterung Pumpe	Fitting pump	Antivibrante standard	1,51
o. Abb.	P6020.NK	Wassertankadapter komplett Edelstahl	Water tank adapter complete stainl. Steel	Portagomma serbatoio completo inox	21,30

Drawing 03

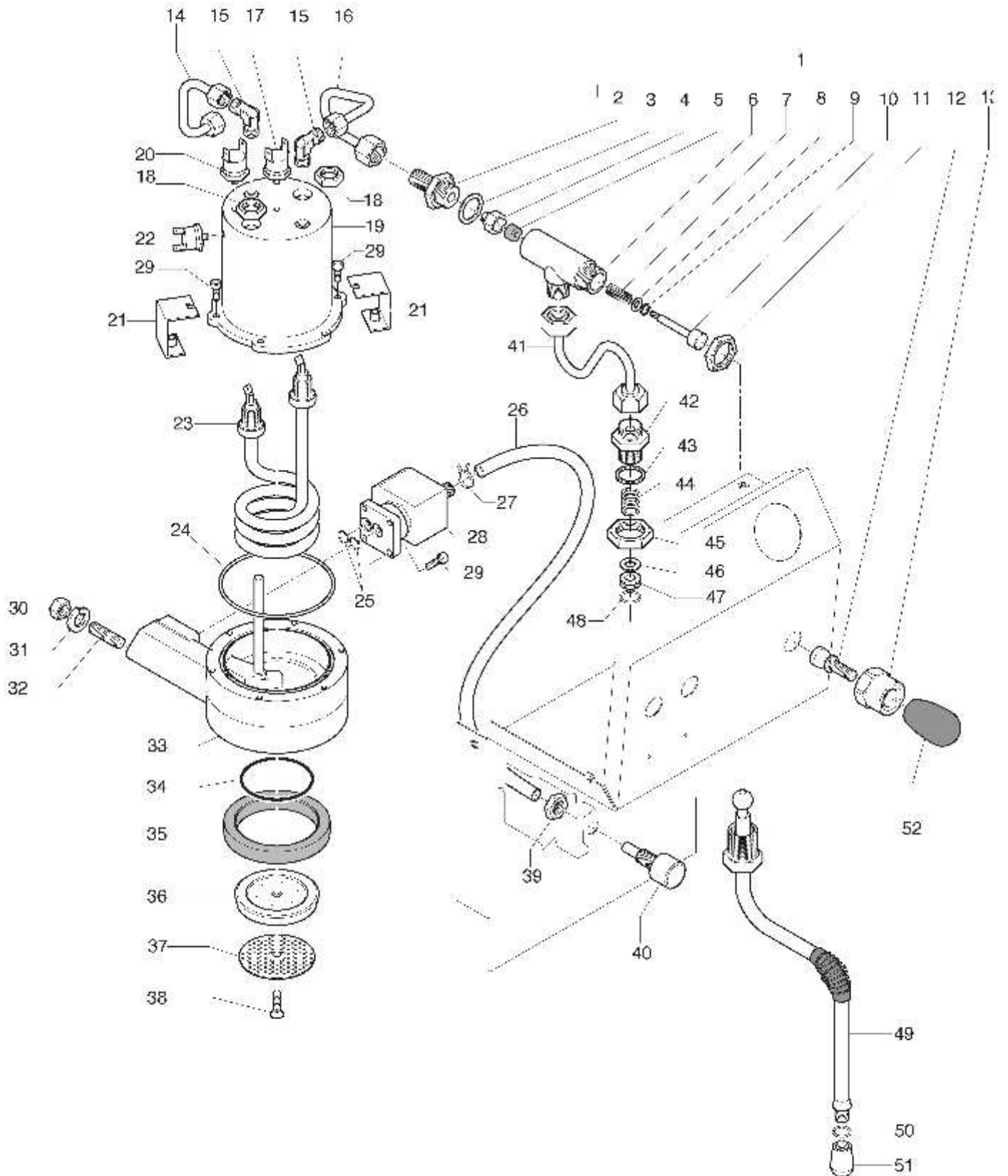


Table 3

Pos.	Artikelnr./ item no./ num.art.	Bezeichnung	Description	Descrizione	Preis/ price/ prezzo in €
1	P7013	Dampf-/Heißwasserventil Casa IV Hebel	Steam/water lever valve Casa IV	Rubinetto leva Casa IV	34,90
2	P7013.12	Nippel 3/8"-1/4"	Fitting 3/8"-1/4"	Nipplo 3/8"-1/4"	5,32
3	P7013.11	Dichtung Teflon	Gasket teflon	Guarnizione teflon	0,82
4	P7013.10	Halterung für Dichtung inkl. Gummi	Fitting for rubber incl. gasket	Portagomma guarnizione in gomma	5,80
5	P7013.9	Dichtung Gummi	Rubber gasket	Guarnizione	0,82
6	P7013.1	Grundkörper Ventil	Body valve	Corpo rubinetto	11,23
7	P7013.5	Feder Kippventil	Spring lever valve	Molla rubinetto leva	1,25
8	P7013.4	Scheibe Messing	Washer brass	Ranella ottone	1,32
9	P7013.3	OR103 EPDM 70SH 4,48x1,78	OR103 EPDM 70SH 4.48x1.78	OR103 EPDM 70SH 4,48x1,78	0,82
10	P7013.6	Stab Inox 304	Bar inox 304	Asta inox 304	5,95
11	P7013.2	Gegenmutter 3/8" CH24 H5	Counter nut 3/8" CH24 H5	Controdado 3/8" CH24 H5	1,51
12	P7013.7	Kugelstab M8	Ball bar M8	Asta C/sfera M8	5,28
13	P7013.8	Mutter extern G3/8	Nut external G3/8	Dado G3/8	4,88
14	P9119	Befüllung Rohr Casa IV	Feed pipe Casa IV	Tubo carico Casa IV	8,20
15	C229900579	L Verbindungsstück 1/8"M-1/8"M	L connector	Raccordo L 1/8"M-1/8"M	4,16
16	P9116	Rohr Dampfentnahme intern	Tube steam dispersion internal	Tubo prelievo vapore interno	8,84
17	C100001815	Thermostat 104° (Kaffee)	Thermostat 104°C (coffee)	Termostato 104° (caffè)	7,95
18	C329900682	Halbmutter 1/4"	Half nut 1/4"	Mezzo dado 1/4"	0,74
19	P2042.4	Kessel Casa IV	Boiler Casa IV	Caldaia Casa IV	89,00
20	C100001816	Thermostat 135°C Dampf	Thermostat 135°C steam	Termostato 135°C vapore	7,95
21	P9099	Blechhalterung Kessel Casa IV	Metal fitting boiler Casa IV	Staffetta supporto caldaia Casa IV	2,85
22	C199901549	Sicherheitsthermostat Casa IV 165°C	Safety thermostat Casa IV 165°C	Termostato riarmo Casa IV 165°C	6,62
23	P2042.9	Heizung Casa IV	Heating Casa IV	Resistenza Casa IV	40,39
23	US1011	Heizung Casa IV 110 V	Heating Casa IV 110 V	Resistenza Casa IV 110 V	40,39
24	P2042.2	Dichtung Kessel Casa IV	Gasket boiler Casa IV	Guarnizione caldaia Casa IV	2,53
25	C449900786	OR 2025 Viton 6,07x1,78	OR 2025 Viton 6.07x1.78	OR 2025 Viton 6,07x1,78	0,46
26	C499900769	Silikonschlauch lfm	Tube silicone per metre	Tubo silicone al metro	5,06
27	P1997	Klammer Silikon	Clip silicone	Molla tubo silicone	0,70
28	C199900226	Magnetventil 3- Wege Casa IV	Three-way magnetic valve Casa IV	Elettrovalvola 3 vie Casa IV	40,65
28	US1014	Magnetventil 3- Wege Casa IV 110V	Three-way magn. valve C. IV 110V	Elettrovalvola 3 vie Casa IV 110V	50,00
29	P2006	Schraube Zylinder M4x10 A2	Screw cylinder M4x10 A2	Vite TCI M4x10 A2	0,25
30	C309900127	Sechskantmutter M8 V2	Hex nut M8 V2	Dado esagonale M8 V2	0,30
31	P2011	Unterlegscheibe offen A2 0 8 UNI1751	Washer open A2 0 8 UNI1751	Rondella grower A2 0 8 UNI1751	0,18
32	C309900131	Gewindestift M8x31 ASTM A193	Grub screw M8x31 ASTM A193	Grano M8x31 ASTM A193	0,41
33	P2042.1	Gruppe Casa IV ohne Anbauteile	Casa IV group w/o attaching parts	Gruppo Casa IV nudo	89,00
34	C449900790	Dichtung Duschplatte	Gasket shower	Guarnizione doccia	4,04
35	C449900230	Gruppendichtung Casa IV 7,8mm	Group gasket Casa IV 7.8 mm	Guarnizione sottocoppa Casa IV 7,8mm	3,00
36	C529900550	Duschenhalter Casa IV	Fitting shower Casa IV	Portadocchetta Casa IV	10,17
37	C519900102	Duschplatte Casa IV	Shower screen Casa IV	Doccetta Casa IV	5,06
38	C319900134	Schraube Senkkopf Duschplatte M5x10	Screw flat head shower M5x10	Vite testa svasata doccetta M5x10	0,32
39	P6103	Halbmutter M10 A2	Half nut M10 A2	Mezzo dado M10 A2	0,40
40	C227700898	Ablaufdüse T/M WA	Drainage nozzle T/M WC	Scarico espansione T/M coll. Idrico	13,90
41	P9117	Rohrverbindung Dampf/Wasser	Tube connector steam/water	Tubo collegamento vapore/acqua	9,25
42	P9115.5	Nippel Anschluss Dampf	Fitting steam connection	Nipplo raccordo vapore	4,95
43	P6015	Teflondichtung für Ventil	Gasket teflon for valve	Guarnizione teflon per rubinetto	1,50
44	P9115.6	Feder Dampf Casa IV	Spring steam Casa IV	Molla vapore Casa IV	1,95
45	P9115.3	Gegenmutter Dampf	Counter net steam	Controdado vapore	3,95
46	P6012	Unterlegscheibe Ventil P6000	Washer valve P6000	Rondella inox per tubo	0,28
47	P6010	Teflonpfanne	Ball socket teflon	Lunetta teflon	1,60
48	C449900719	Unterer OR Mutter Dampf-/Heißwasserventil	Lower OR steam/water nut	OR inferiore dado vapore/acqua	0,49
49	P9115.7	Dampflanze	Steam pipe	Lancia vapore	26,90
50	P6002.1	OR Dampfdüse	OR steam nozzle	OR spruzzatore	0,47
51	P9115.2	Dampfdüse 2-Loch Casa IV	Steam nozzle two holes	Spruzzatore vapore 2 fori	8,32
52	C439900840	Brühhebelgriff M8	Group lever M8	Manopola gruppo M8	4,55

Drawing 04

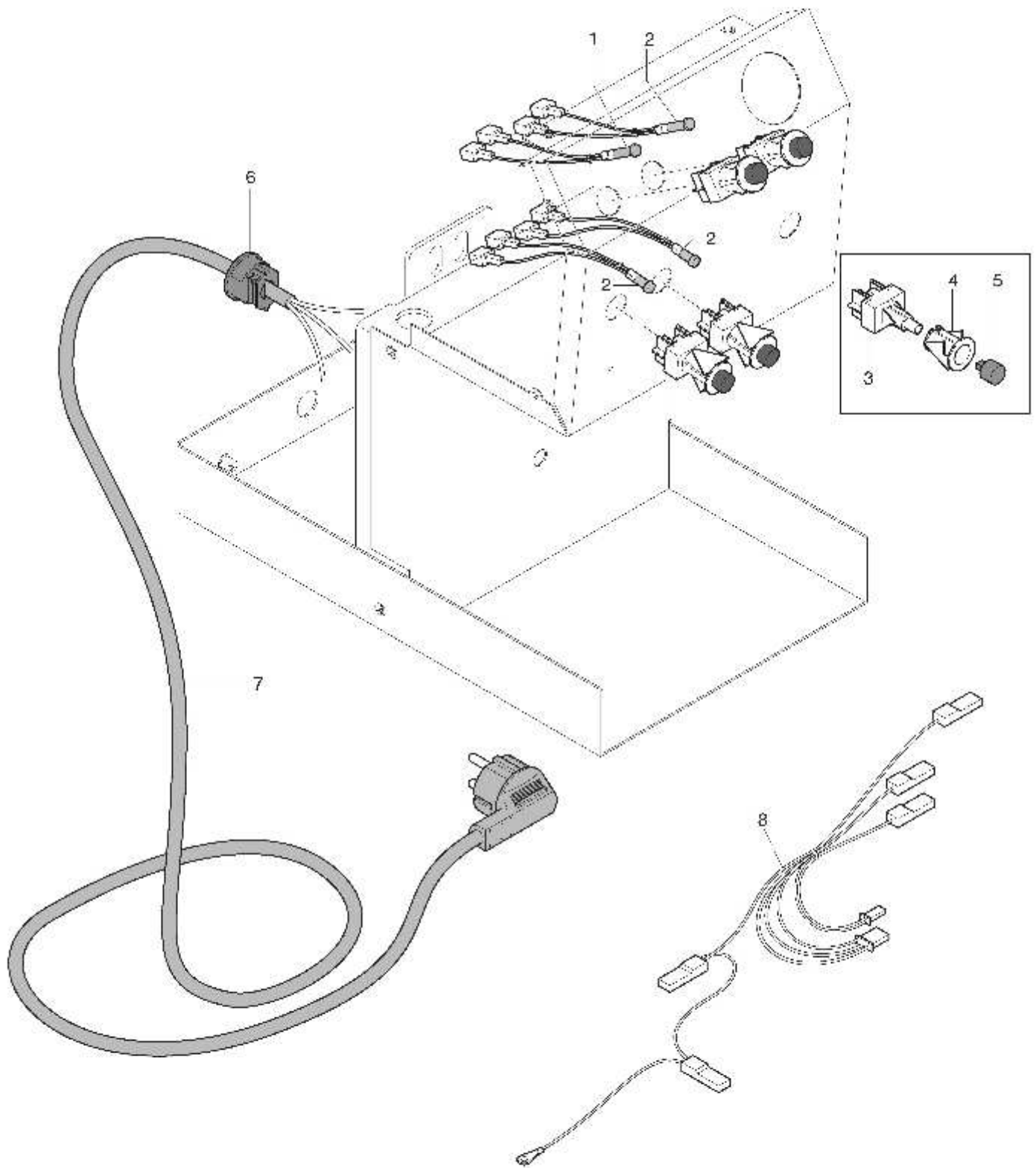


Table 4

Pos.	Artikelnr./ item no./ num.art.	Bezeichnung	Description	Descrizione	Preis/ price/ prezzo in €
1	P9109	Kontrolllampe grün Casa IV	Control lamp green Casa IV	Lampada spia verde Casa IV	4,04
2	P9108	Kontrolllampe orange Casa IV	Control lamp orange Casa IV	Lampada spia arancione Casa IV	4,04
3	P9111	Schalter bipolar Casa IV 16A/250V	Switch bipolar Casa IV 16A/250V	Interruttore bipolare Casa IV 16A/250V	2,40
4	P9112	Halterung rund verchromt Casa IV	Fitting round chromed Casa IV	Supporto tondo cromato Casa IV	1,04
5	P9113	Taste rund schwarz	Button round black	Tasto tondo nero bombato	0,20
6	C439900086	Zugentlastung/Kabelklemme	Cable anchorage/cable clip	Fissacavo/morsetto	1,99
7	C199900957	Anschlusskabel Schuko 3x1,5	Cable connection 3x1.5	Cavo schuko 3x1,5	8,00
o. Abb.	P2034	US Netzkabel 3x1,5 1,80 m lang	US cable 3x1.5, length 1.80 m	Cavo US 3x1,5 lungo 1,80 m	9,90
o. Abb.	P2035	UK Netzkabel 3x1,5 1,80 m lang	UK cable 3x1.5, length 1.80 m	Cavo UK 3x1,5 lungo 1,80 m	9,90
o. Abb.	P2036	AU Netzkabel 3x1,5 1,80 m lang	AU cable 3x1.5, length 1.80 m	Cavo AU 3x1,5 lungo 1,80 m	9,90
8	P9110	Kabelbaum Casa IV	Cable loom Casa IV	Cablaggio Casa IV	15,52

Drawing 05

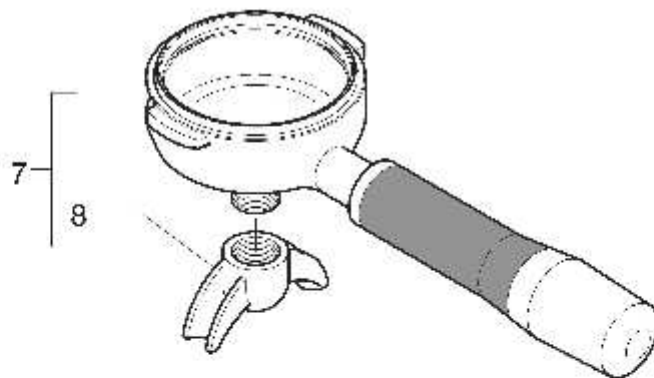
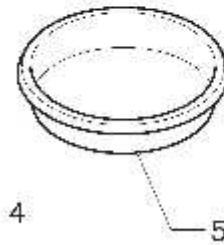
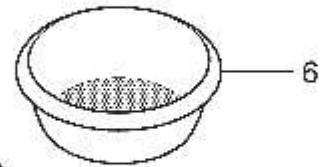
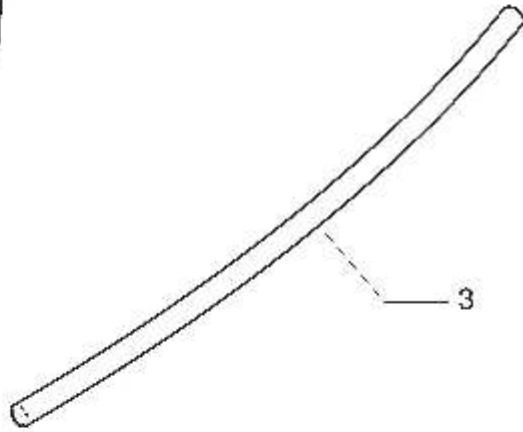
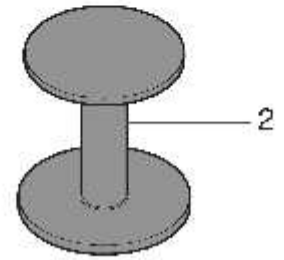
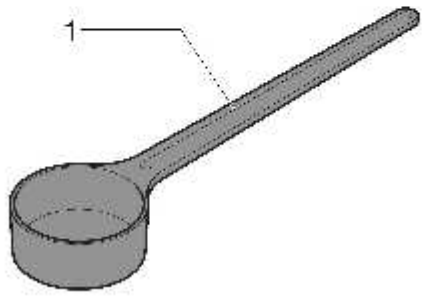


Table 5

Pos.	Artikelnr./ item no./ num.art.	Bezeichnung	Description	Descrizione	Preis/ price/ prezzo in €
1	C639900710	Messlöffel	Measuring spoon	Misurino	5,06
2	C639900764	Stopfer/Tamper Plastik	Tamper plastics	Pressino	5,06
3	C499900769	Silikonschlauch lfm	Silicone tube per metre	Tubo silicone al metro	5,06
4	C619900104	Tassensieb 7g	Filter 7g	Filtro 7g	5,84
5	C619900106	Blindsieb	Blind filter	Filtro cieco	5,84
6	C619900105	Tassensieb 14g	Filter 14g	Filtro 14g	5,84
7	89423	Filterträger 2 Ausläufe mini Chrom/schwarz	Filter holder 2 spouts mini chromed/black	Portafiltro 2 vie mini cromato/nero	62,98
8	P9120	Auslauf 2 Wege klein	Double spout small	Beccuccio 2 vie mini	5,06