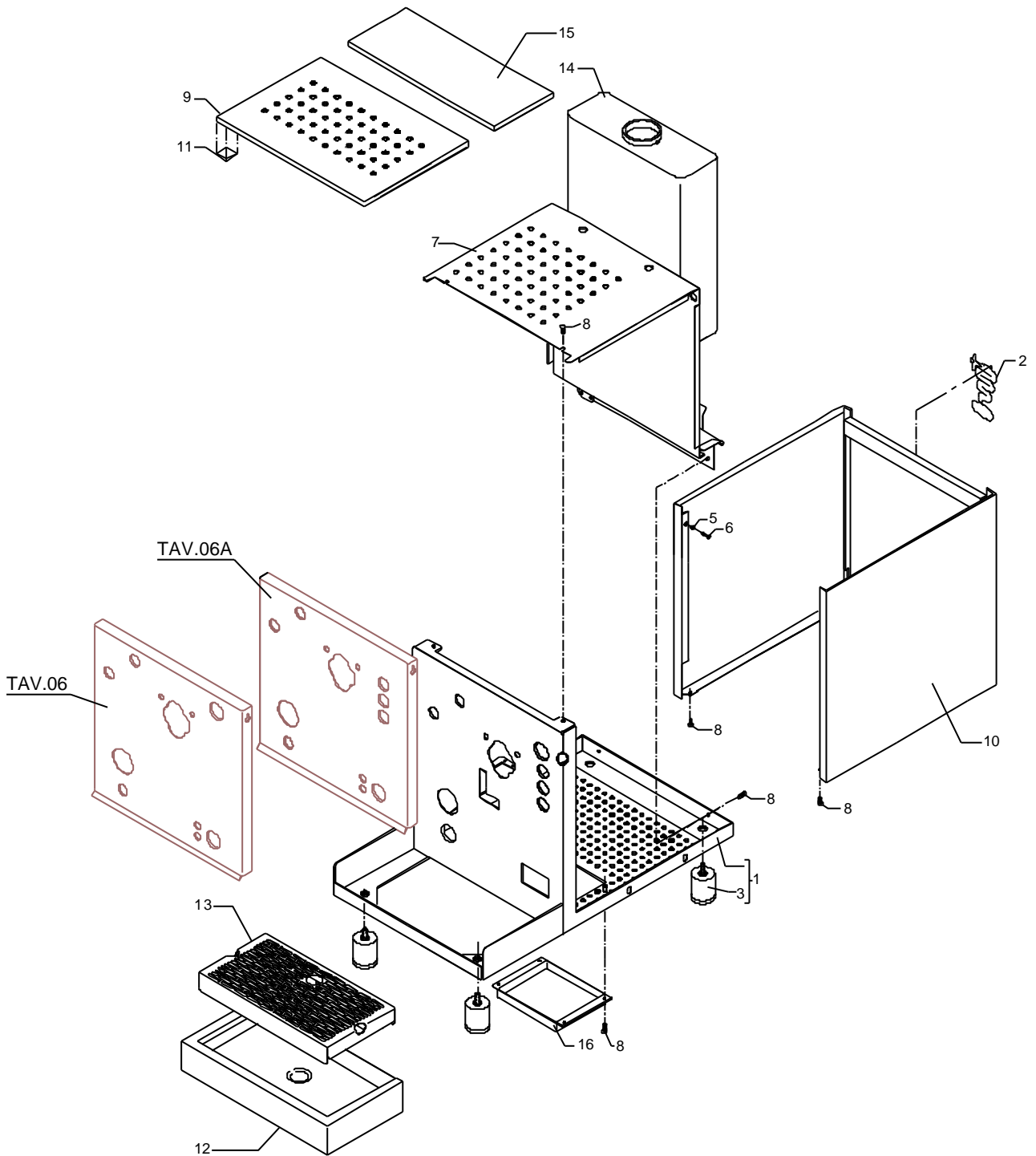




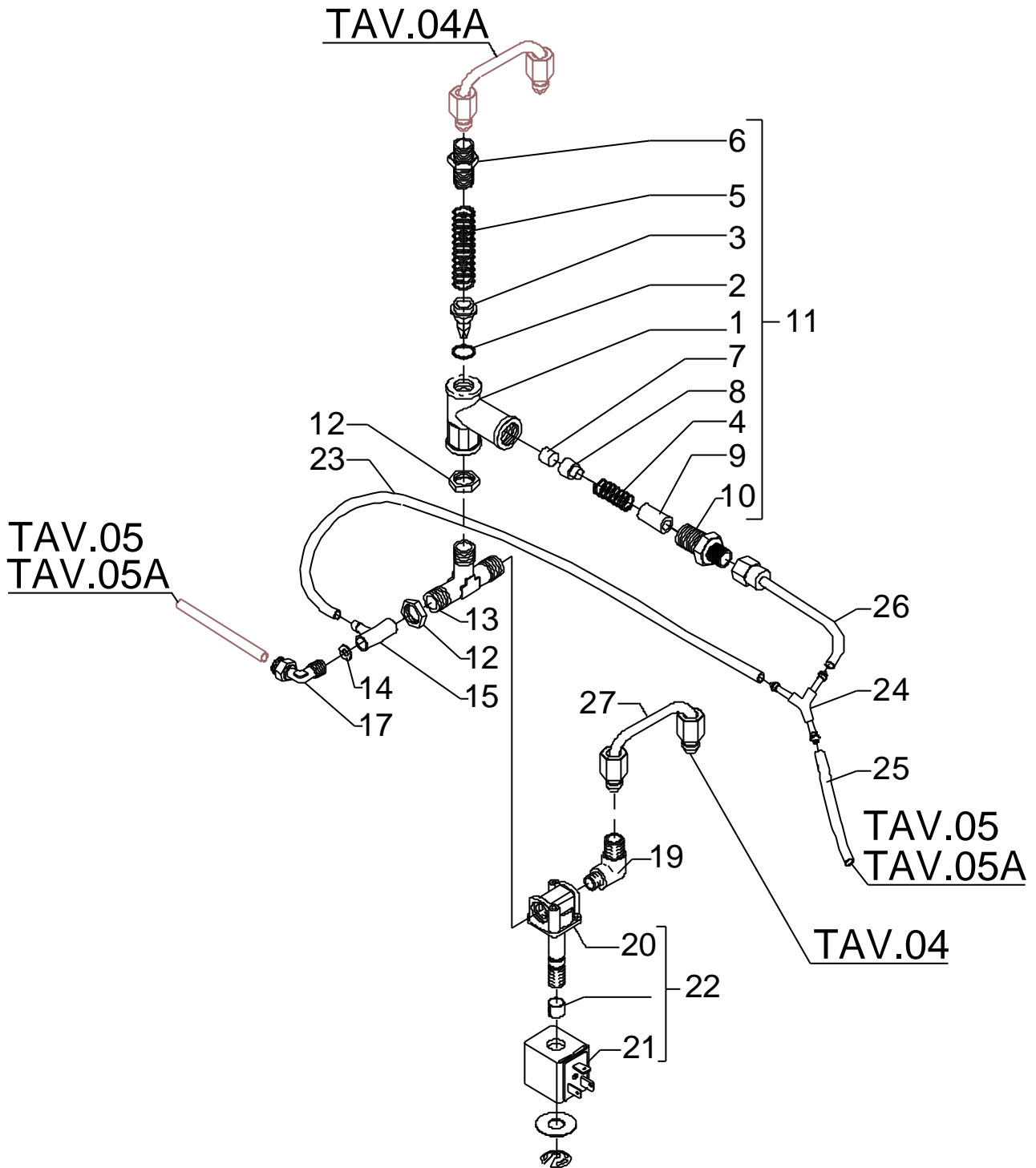
BZ07



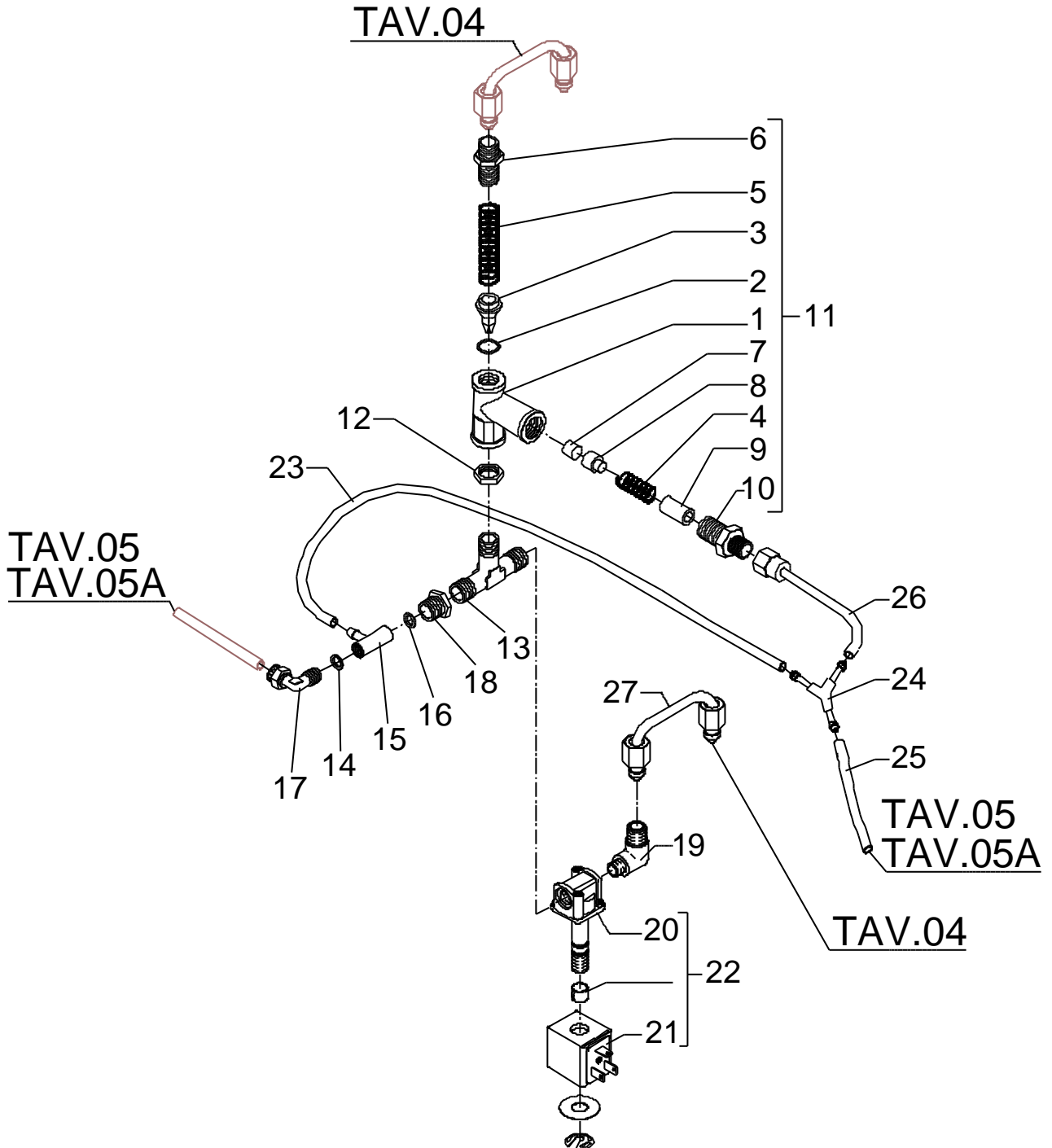
POS	DESCRIPTION	CODE	REFERENCE
1	ASSEMBLY CHASSIS DE BZ07	5964589	-
1	ASSEMBLY CHASSIS DE BZ07 WHIT DUAL GAUGE SCALE	5964589.01	-
1	ASSEMBLY CHASSIS PM BZ07	5964587	-
1	ASSEMBLY CHASSIS PM BZ07 WHIT DUAL GAUGE SCALE	5964587.01	-
2	LABLE "BEZZERA"	5522065	-
3	FEET M10 D40X46	7474218	-
5	BUSHING D10 X 4.2 OT	5220818	-
6	SCREW TPS M4X10 DIN 963 A2	7817004	-
7	TANK SUPPORT	5963068	-
8	SCREW TCEI M4X12 UNI 5931 A2	7816002	-
9	CUPS-HEATER GRID BZ07 BA	5074621LW	-
10	BODY STAINLESS STEEL POLISHED	5344031	-
11	ADHESIVE FEET 12,7 H5,8	7474217	-
12	DRIP TRAY	5340510	-
13	DRAIN GRID	5074622LW	-
14	TANK 3 LT. CAPACITY	7373003	-
15	TRAY COVER STAINLESS	5073020LW	-
16	HEATING ELEMENT PROTECTION	5373102	-



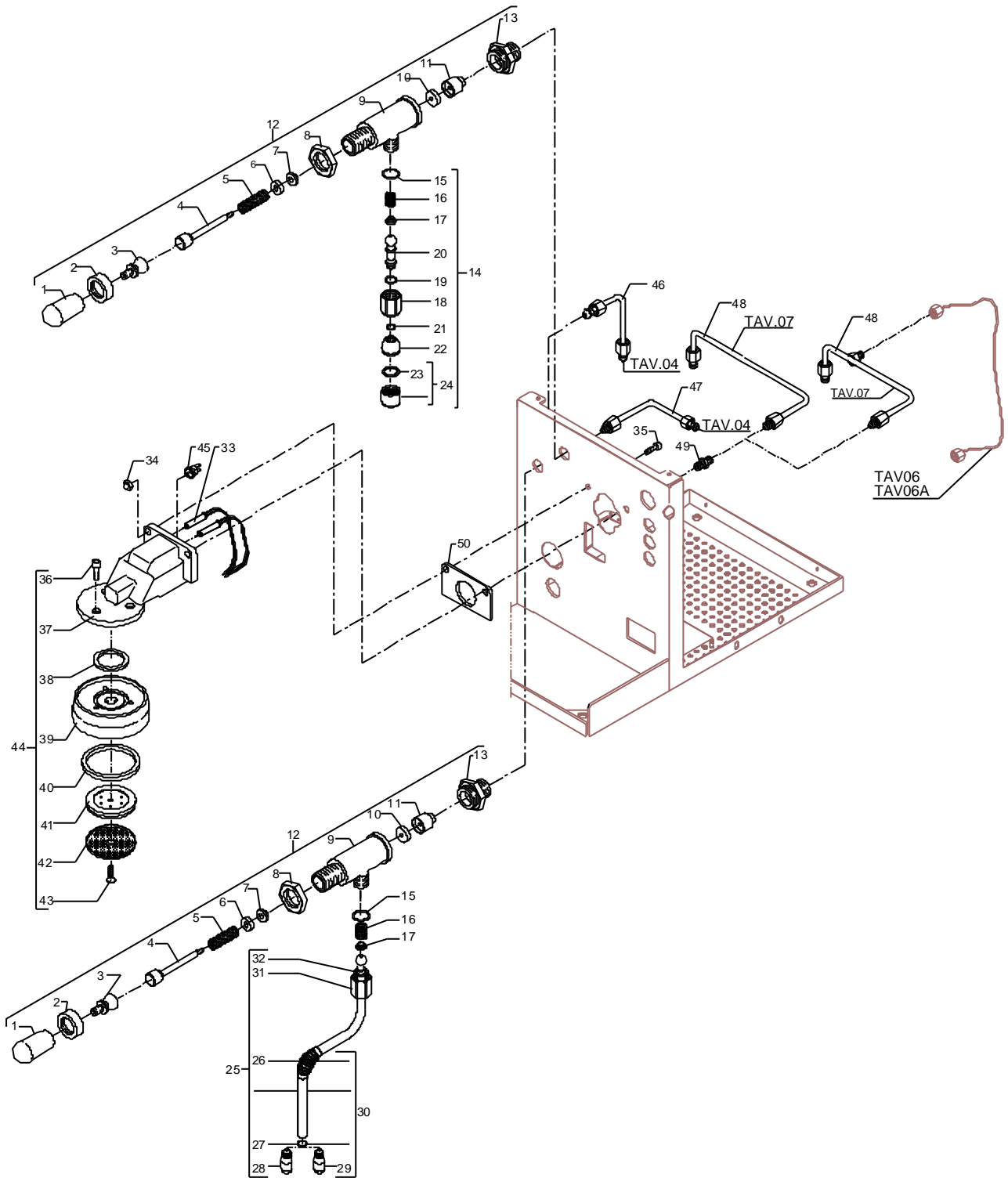
POS	DESCRIPTION	CODE	REFERENCE
1	SURPRESSION VALVE BODY	5283041	-
2	OR GASKET 105 VITON	7496018	-
3	GASKET-HOLDER	5224615	-
4	CALIBRATED SPRING D1 H26 AISI 302	5471506.01	-
5	CALIBRATED SPRING D0.45 H22 AISI 302	5471505	-
6	STRAIGHT FITTING M12 H26.5 OT	5302017	-
7	GASKET D8 X 4 EPT 70SH	5493001	-
8	GASKET-HOLDER D5.3	5224609	-
9	SPACER D16 H12.2	5222201	-
10	FITTING M12XM10	5302016	-
11	ASSEMBLY SURPRESSION VALVE	5965036.01	-
12	NUT 1/8"G H3	5221844	-
13	FITTING	7304514	-
14	WASHER D10X14X0.7 AISI304	5999907	-
15	VALVE (UP TO 23/05/08)	7452512	-
15	VALVE (FROM 24/05/08)	7452513	-
17	UNION ELBOW 1/8"G MF OT	7304507	-
19	UNION ELBOW M12X1/8"G	5301504	-
20	SOLENOID VALVE WITHOUT COIL SIRAI	7703009	-
21	SOLENOID VALVE COIL 220/230V PARKER	7630328	-
21	SOLENOID VALVE COIL 110V PARKER	7630327	-
21	SOLENOID VALVE COIL 240V PARKER	7630329	-
21	SOLENOID VALVE COIL 220/230V SIRAI	7630303	-
21	SOLENOID VALVE COIL 110V SIRAI	7630301	-
21	SOLENOID VALVE COIL 240V SIRAI	7630304	-
22	SOLENOID VALVE 2 WAY 230V PARKER	7702310	-
22	SOLENOID VALVE 2 WAY 115V PARKER	7701111	-
22	SOLENOID VALVE 2 WAY 240V PARKER	7702409	-
23	HOSE 8X5 L=200 SILICONE (UP TO 23/05/08)	5194586	-
23	HOSE 6X4 L=200 SILICONE (FROM 24/05/08)	5194571	-
24	FITTING "Y"	7303033	-
25	HOSE 6X4 L=300 SILICONE	5194548	-
26	HOSE 6X4 L=150 SILICONE	5194581	-
27	BOILER LOAD HOSE	5162303LL	-



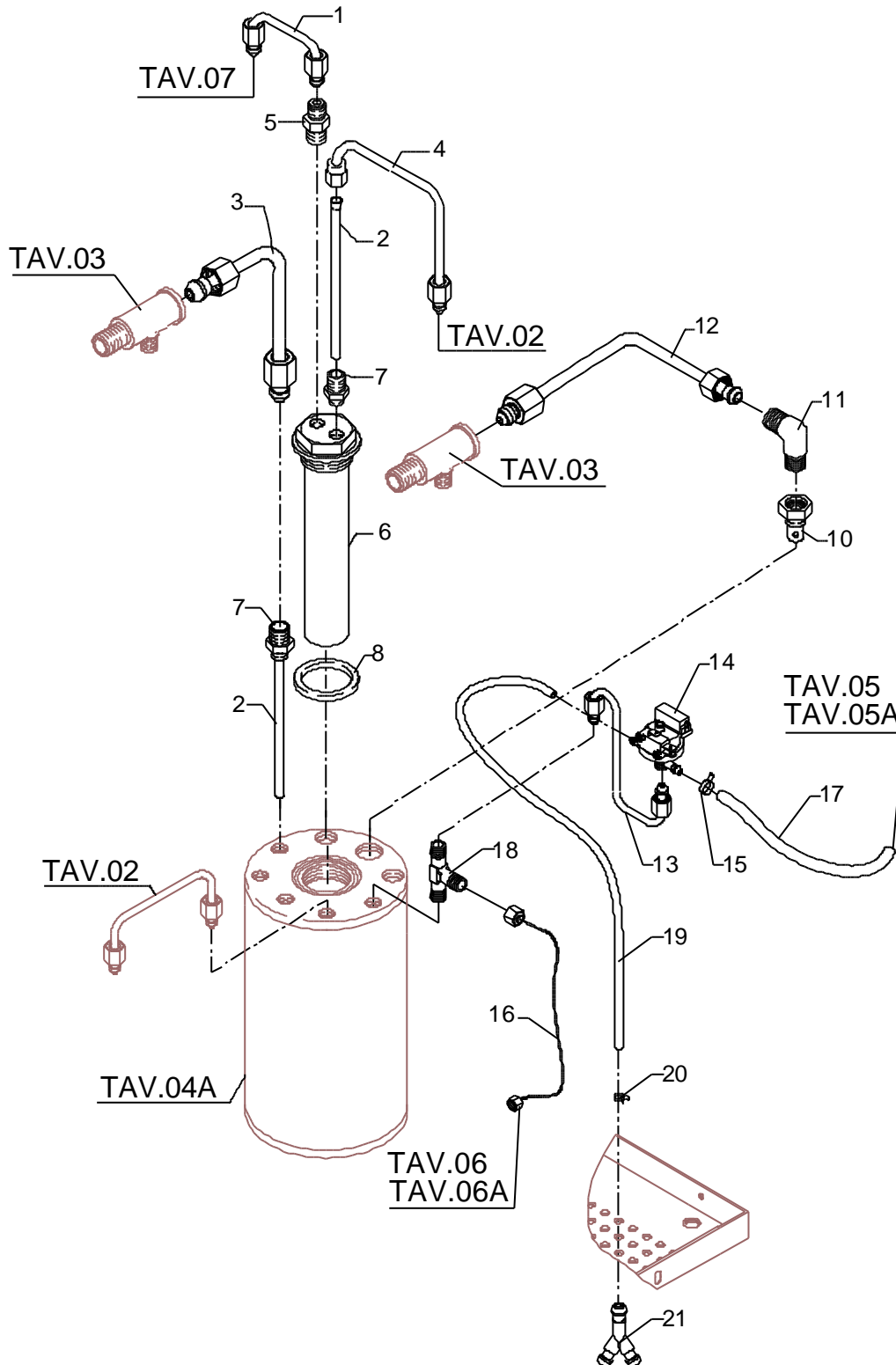
POS	DESCRIPTION	CODE	REFERENCE
1	SURPRESSION VALVE BODY	5283041	-
2	OR GASKET 105 VITON	7496018	-
3	GASKET-HOLDER	5224615	-
4	CALIBRATED SPRING D1 H26 AISI 302	5471506.01	-
5	CALIBRATED SPRING D0.45 H22 AISI 302	5471505	-
6	STRAIGHT FITTING M12 H26.5 OT	5302017	-
7	GASKET D8 X 4 EPT 70SH	5493001	-
8	GASKET-HOLDER D5.3	5224609	-
9	SPACER D16 H12.2	5222201	-
10	FITTING M12XM10	5302016	-
11	ASSEMBLY SURPRESSION VALVE	5965036.01	-
12	NUT 1/8"G H3	5221844	-
13	FITTING	7304514	-
14	OR GASKET 105 VITON	7496018	-
15	VALVE	7452512	-
16	OR GASKET D7.2X1.9 NBR 70SH	7496085	-
17	UNION ELBOW 1/8"G MF OT	7304507	-
18	FOTTING 1/8"G MF	5225411	-
19	UNION ELBOW M12X1/8"G	5301504	-
20	SOLENOID VALVE WITHOUT COIL SIRAI	7703009	-
21	SOLENOID VALVE COIL 220/230V PARKER	7630328	-
21	SOLENOID VALVE COIL 110V PARKER	7630327	-
21	SOLENOID VALVE COIL 240V PARKER	7630329	-
21	SOLENOID VALVE COIL 220/230V SIRAI	7630303	-
21	SOLENOID VALVE COIL 110V SIRAI	7630301	-
21	SOLENOID VALVE COIL 240V SIRAI	7630304	-
22	SOLENOID VALVE 2 WAY 230V PARKER	7702310	-
22	SOLENOID VALVE 2 WAY 115V PARKER	7701111	-
22	SOLENOID VALVE 2 WAY 240V PARKER	7702409	-
23	HOSE 8X5 L=200 SILICONE	5194586	-
24	FITTING "Y"	7303033	-
25	HOSE 6X4 L=300 SILICONE	5194548	-
26	HOSE 6X4 L=150 SILICONE	5194581	-
27	BOILER LOAD HOSE	5162303LL	-



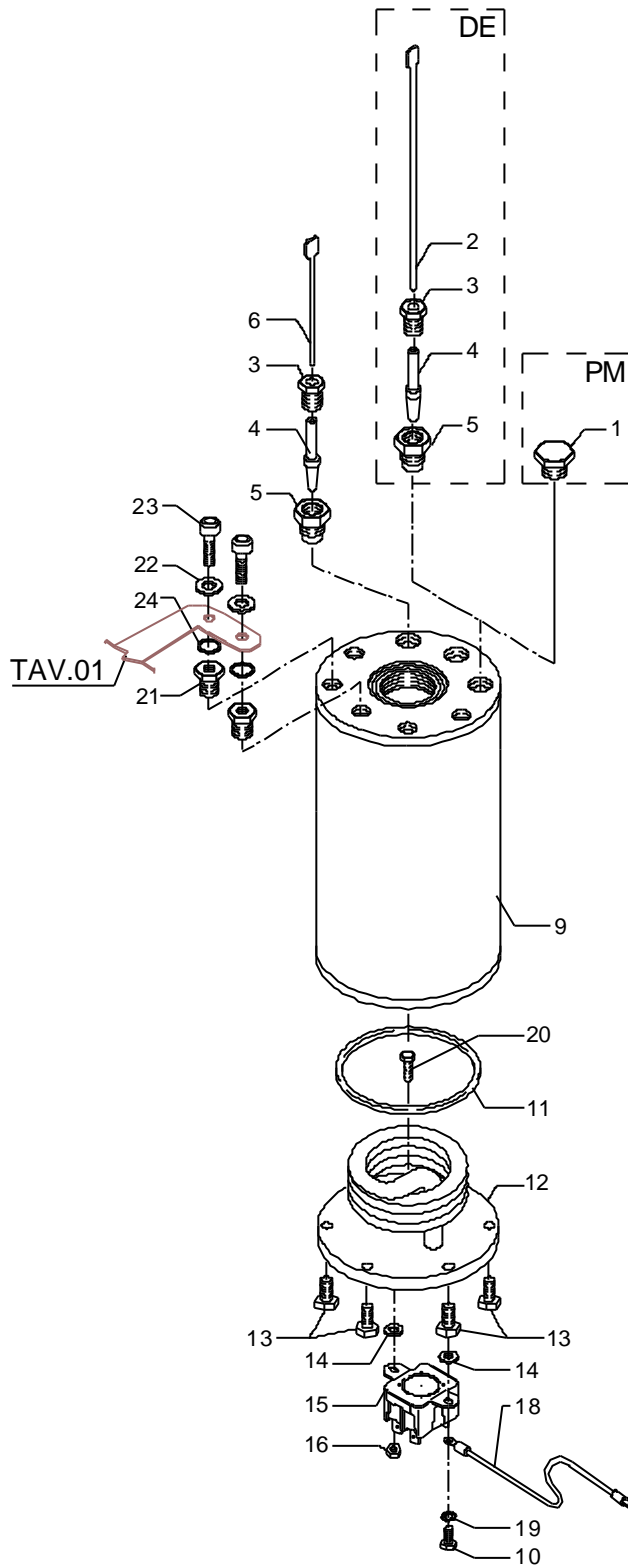
POS	DESCRIPTION	CODE	REFERENCE
1	LEVER KNOB	7371511.01	-
2	RING NUT 3/8"G H17	5222823EC	-
3	ARTICULATION M8 INOX	5225608	-
4	SHAFT D12X47	5260203DL	-
5	SPRING	5471513	-
6	WASHER D11	5221837	-
7	GASKET D12 X 6 PTFE GRAPHITIZED	5494004	-
8	NUT 3/8"G ES.22X5	5221826EC	-
9	TAP BODY OT	5283047EC	-
10	GASKET D11X4X4 EPT 70 (C6)	5496042	-
11	GASKET-HOLDER	5224603	-
12	ASSEMBLY TAP	5964069	-
13	FITTING M14XM13 H26	5225410	-
14	ASSEMBLY WATER HOSE	5966548	-
15	OR GASKET 115 EP856	7496073	-
16	SPRING	5471532	-
17	COMPLETE CUP	5220606	-
18	NUT 3/8"G	5221872EC	-
19	OR GASKET 115 EP856	7496073	-
20	WATER HOSE D14 H44 OT CHROMED	5225607CM	-
21	OR GASKET 108 VITON	7496003	-
22	WATER HOSE TERMINAL D23.5X18 OT CHROMED	5226610CM	-
23	GASKET D20.5X15 H1.5 NBR 70SH	5493003	-
24	WATER HOSE TERMINAL D23.5 H16 OT CHROMED	5226601CM	-
25	ASSEMBLY STEAM HOSE TERMINAL 4 HOLES	7479958	-
26	INSULATING	7371003	-
27	OR GASKET D4.5X1.5 NBR 70	7496083	-
28	TERMINAL 4 HOLES	7305010	-
29	TERMINAL 2 HOLES	5226601	-
30	ASSEMBLY STEAM HOSE TERMINAL 2 HOLES	7479975	-
31	NUT 3/8"G	5221872EC	-
32	OR GASKET 115 EP856	7496073	-
33	HEATING ELEMENT 230V 50W	5722310	-
33	HEATING ELEMENT 110V 50W	5722311	-
34	CAP NUT M8 ES.14 H17 OT CHROMED	5221863CM	-
35	SCREW M8X20 UNI5931 A2	7816014	-
36	SCREW TCEI M5X12 UNI 5931 A2	7816001	-
37	DELIVERY GROUP BODY	5283046CM	-
38	OR GASKET 139 VITON	7496004	-
39	COUPLING RING CHROMED	5280502CM	-
40	GASKET H 9,3 NBR 90SH	7493008	-
41	SHOWER-HOLDER D57OT	5285501	-
42	SHOWER D57 AISI 304	5470501	-
43	SCREW TPS M5X16 DIN 963 A2	7817001	-
44	ASSEMBLY DELIVERY GROUP	5963548	-
45	THERMIC SAFETY DEVICE 250V 95°C AUTOMATIC	7634808	-
46	STEAM TAP HOSE	5162301LL	-
47	WATER TAP HOSE	5162302LL	-
48	GROUP-SOLENOID VALVE HOSE	5162305LL	-
48	GROUP-SOLENOID VALVE HOSE WHIT DUAL GAUGE SCALE	5162309LL	-
49	STRAIGHT FITTING 1/8"G OT	7304502	-
50	INSULATING	7493013	-



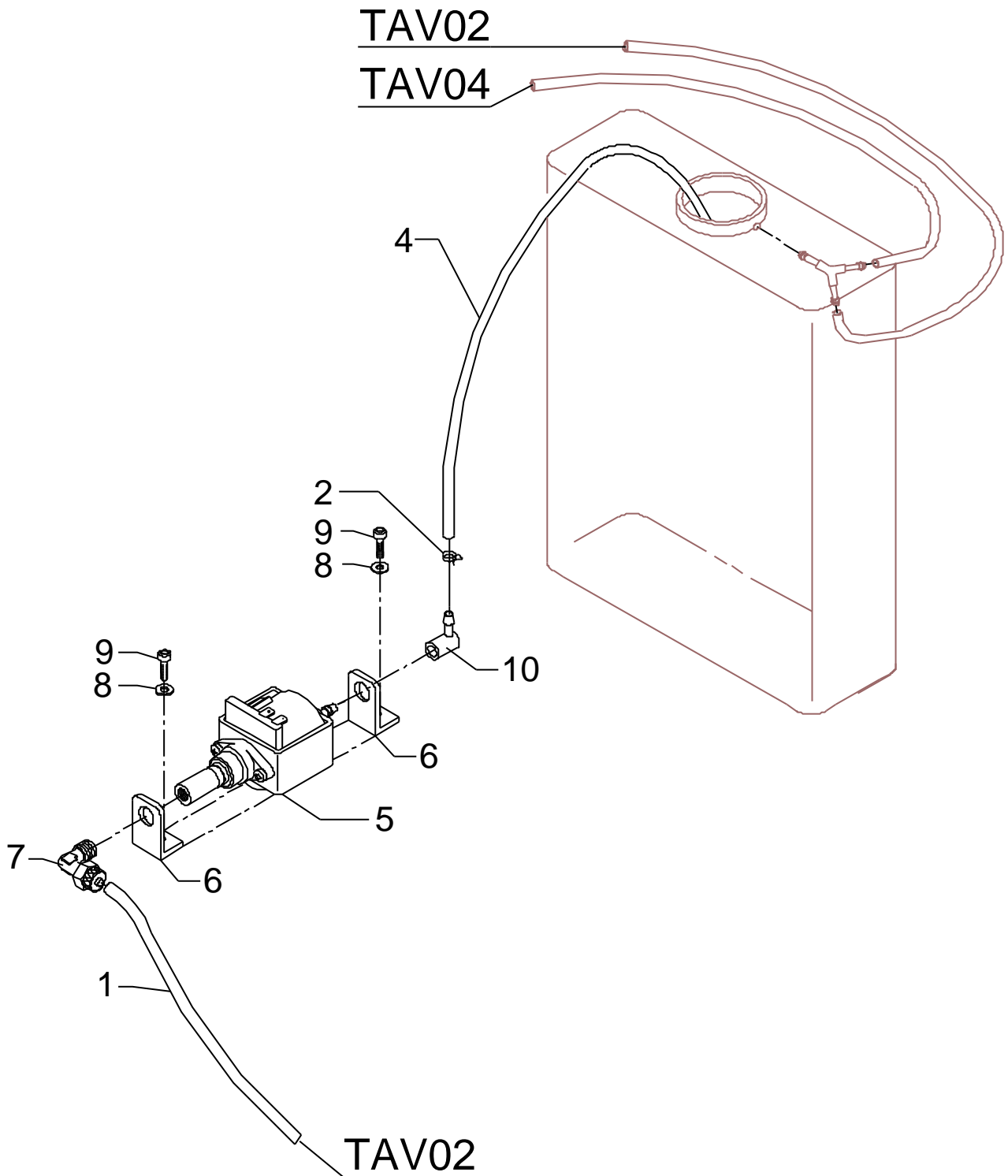
POS	DESCRIPTION	CODE	REFERENCE
1	EXCHANGER-GROUP SOLENOID VALVE HOSE	5162185.01LL	-
2	SUCTION HOSE D6 L=130MM PTFE	5192301	-
3	WATER TAP HOSE	5162302LL	-
4	EXCHANGER LOAD HOSE	5162304LL	-
5	STRAIGHT FITTING 1/8"G OT	7304502	-
6	ASSEMBLY EXCHANGER HOSE POLISHED	5329005.01BL	-
7	STRAIGHT FITTING 1/8"G X M12 OT	5302006	-
8	GASKET D32 X 3 BRASS	5495007	-
10	FITTING 3/8"G X 1/4"G	5302070	-
11	UNION ELBOW M13 X 1/4" GC	5301506	-
12	STEAM TAP HOSE	5162301LL	-
13	PRESSOSTAT HOSE	5162203.01LL	-
14	PRESSOSTAT XP700+C111P 230V	7433017	-
14	PRESSOSTAT XP700+C111P 110V	7433016	-
15	CLAMP	7611504	-
16	PRESSURE GAUGE CAPILLARY	7400901	-
17	HOSE 6X4 L=300 SILICONE	5194548	-
18	FITTING	7304514	-
19	HOSE Ø 8x5 SILICONE L=350	5194549	-
20	CLAMP	7611504	-
21	FITTING "Y"	7303033	-



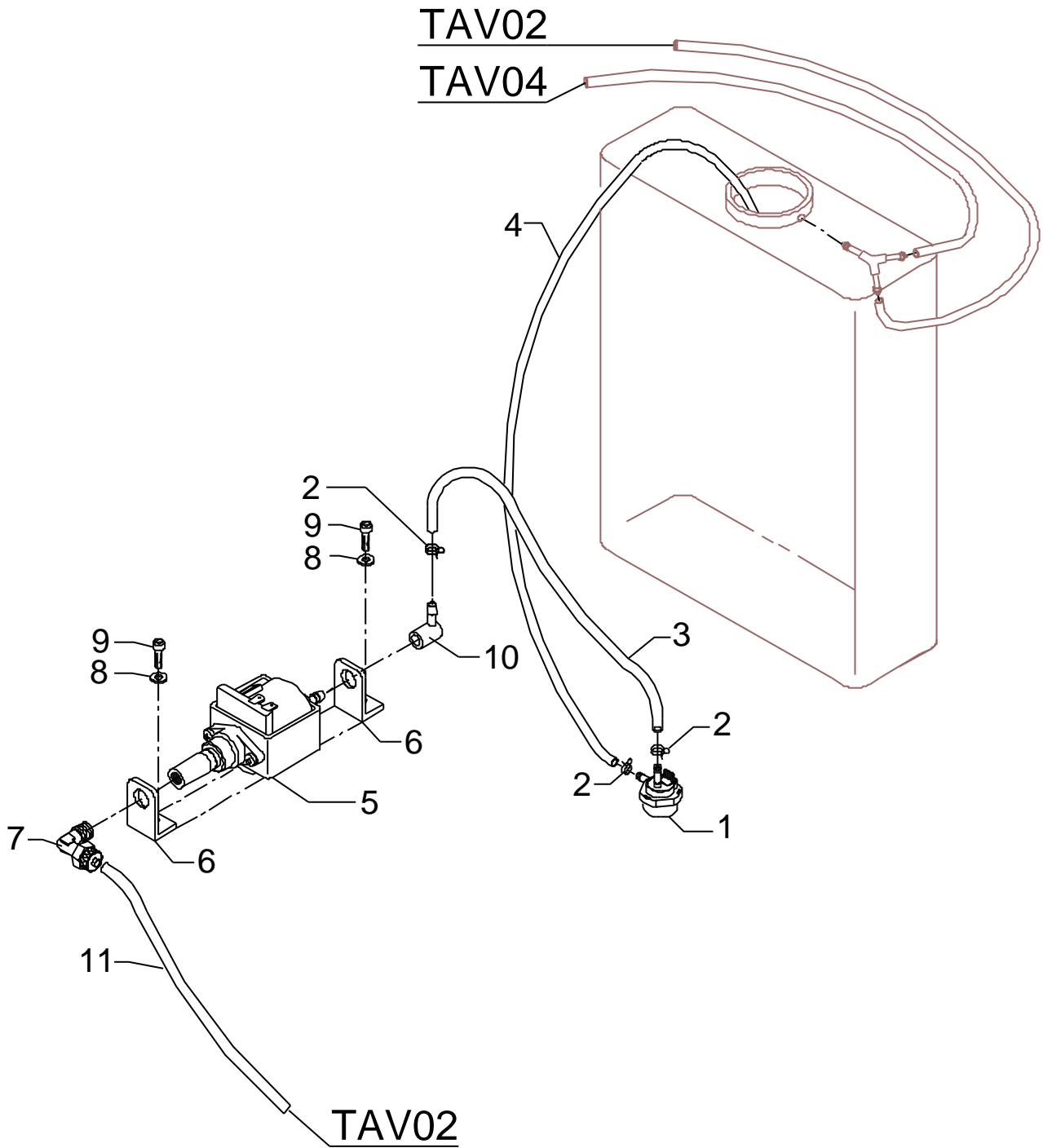
POS	DESCRIPTION	CODE	REFERENCE
1	PLUG 1/4"G ES.16 H13 OT	5226405	-
2	LEVEL PROBE 1GR D3 X 110 X 6.3	5265804	-
3	STRAIGHT FITTING M10 OT	5225205	-
4	PROBE SHEATH D8 X 45 HOLE D3 PTFE	5192001	-
5	STRAIGHT FITTING 1/4"G X M10 OT	5225209	-
6	LEVEL PROBE D3X160X4.8	5265811	-
9	BOILER	5320520BL	-
10	SCREW TE M4X8 UNI 5739 A2	7816409	-
11	OR GASKET D73 X 3 VITON	7496040	-
12	HEATING ELEMENT 120V W1200	5721128	-
12	HEATING ELEMENT 220/240V W1100-1300	5722239	-
13	SCREW TE M6X14 UNI 5739 OT	7816422	-
14	WASHER D5X1 UNI 6592 OT	7825003	-
15	THERMIC SAFETY DEVICE 250V 115°C	7634813	-
16	NUT M4 OT	7822603	-
18	GROUND WIRE	7663573	-
19	WASHER Ø 4	7814001	-
20	SCREW TE M4X16 UNI 5739 OT	7826402	-
21	PLUG 1/8"G ES.12 H10 HOLE M4 OT	5226411	-
22	WASHER D5X1 UNI 6592 OT	7825003	-
23	SCREW TCEI M4X12 UNI 5931 A2	7816002	-
24	GASKET D6.5	7492003	-



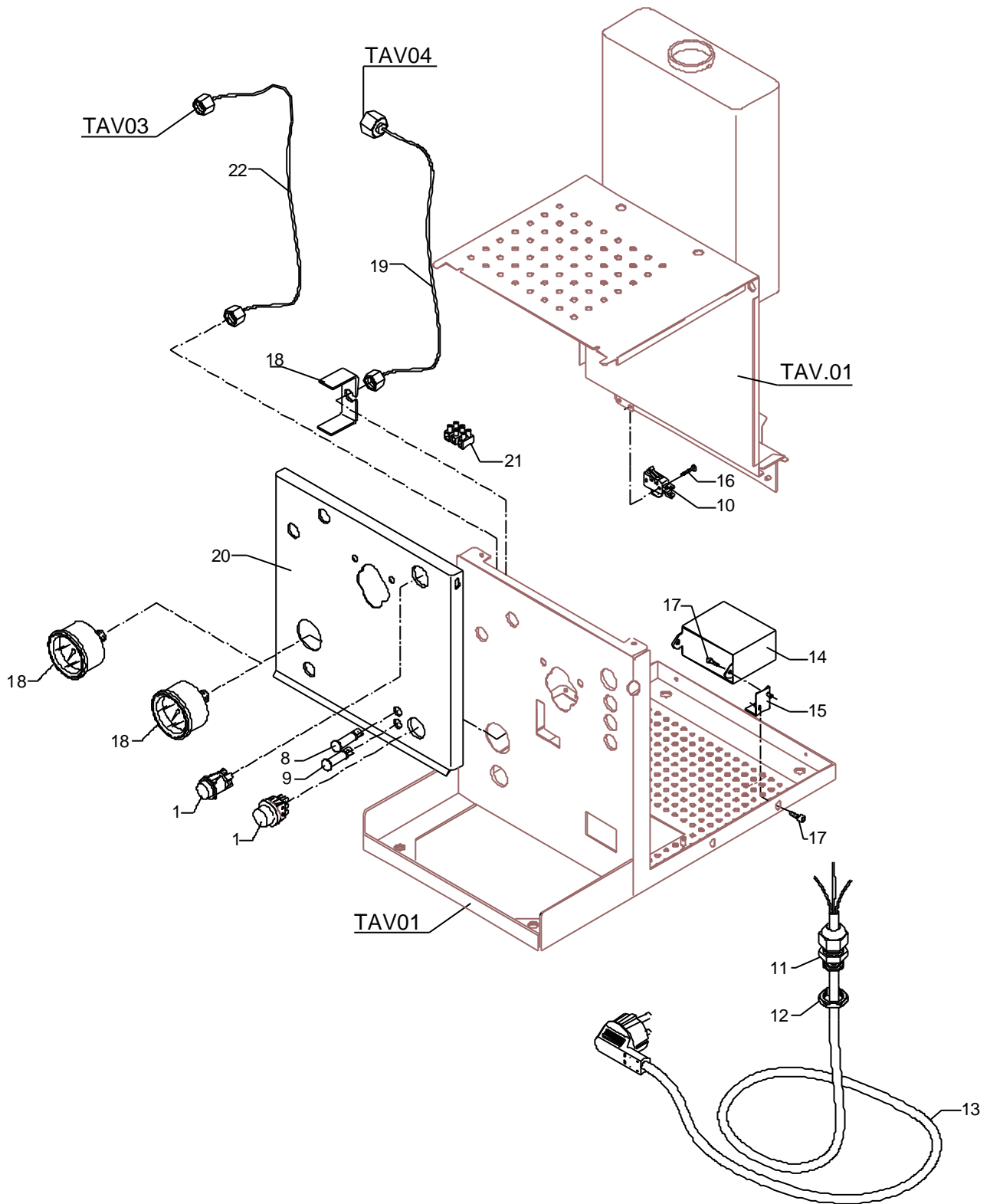
POS	DESCRIPTION	CODE	REFERENCE
1	PUMP-SOLENOID VALVE HOSE	5194578LL	-
2	CLAMP	7611516	-
4	HOSE 8X5 L=750 SILICONE	5194582	-
5	VIBRATION PUMP 230V 50HZ	7731009	-
5	VIBRATION PUMP 120V 50/60Hz	7731011	-
5	VIBRATION PUMP 240V 50/60Hz	7731014	-
6	VIBRATION-DAMPING	7470602	-
7	UNION ELBOW 1/8"G	7303001	-
8	PLAIN WASHER D5 X 11 X 1	7805009	-
9	SCREW TCEI M4X16	7816004	-
10	RUBBER-HOLDER FITTING	7303006	-



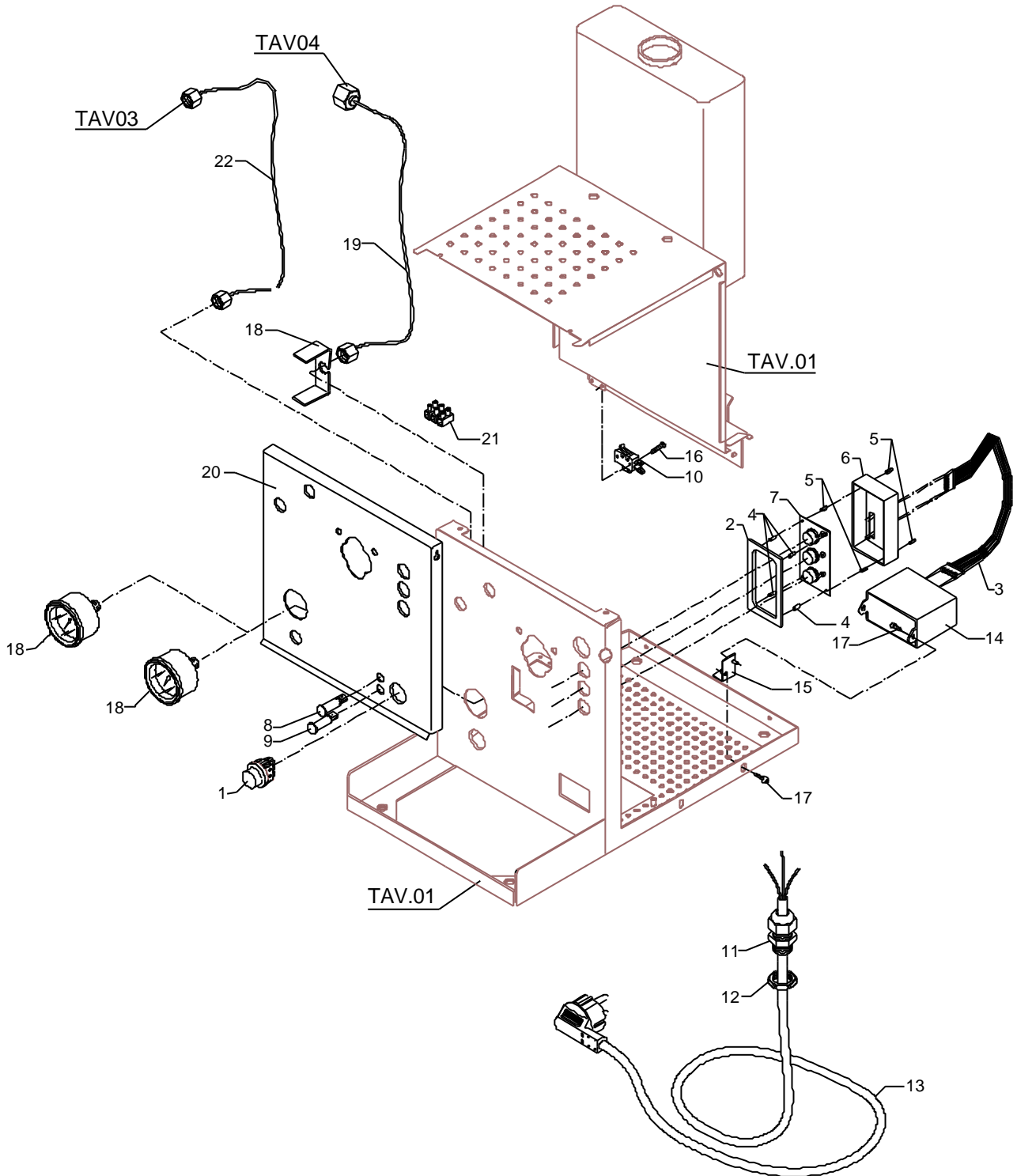
POS	DESCRIPTION	CODE	REFERENCE
1	FLOW METER	7431002	-
2	CLAMP	7611516	-
3	HOSE 8X5 L=150 SILICONE	5194584	-
4	HOSE 8X5 L=750 SILICONE	5194582	-
5	VIBRATION PUMP 230V 50HZ	7731009	-
5	VIBRATION PUMP 120V 50/60Hz	7731011	-
5	VIBRATION PUMP 240V 50/60Hz	7731014	-
6	VIBRATION-DAMPING	7470602	-
7	UNION ELBOW 1/8"G	7303001	-
8	PLAIN WASHER D5 X 11 X 1	7805009	-
9	SCREW TCEI M4X16	7816004	-
10	RUBBER-HOLDER FITTING	7303006	-
11	PUMP-SOLENOID VALVE HOSE	5194578LL	-



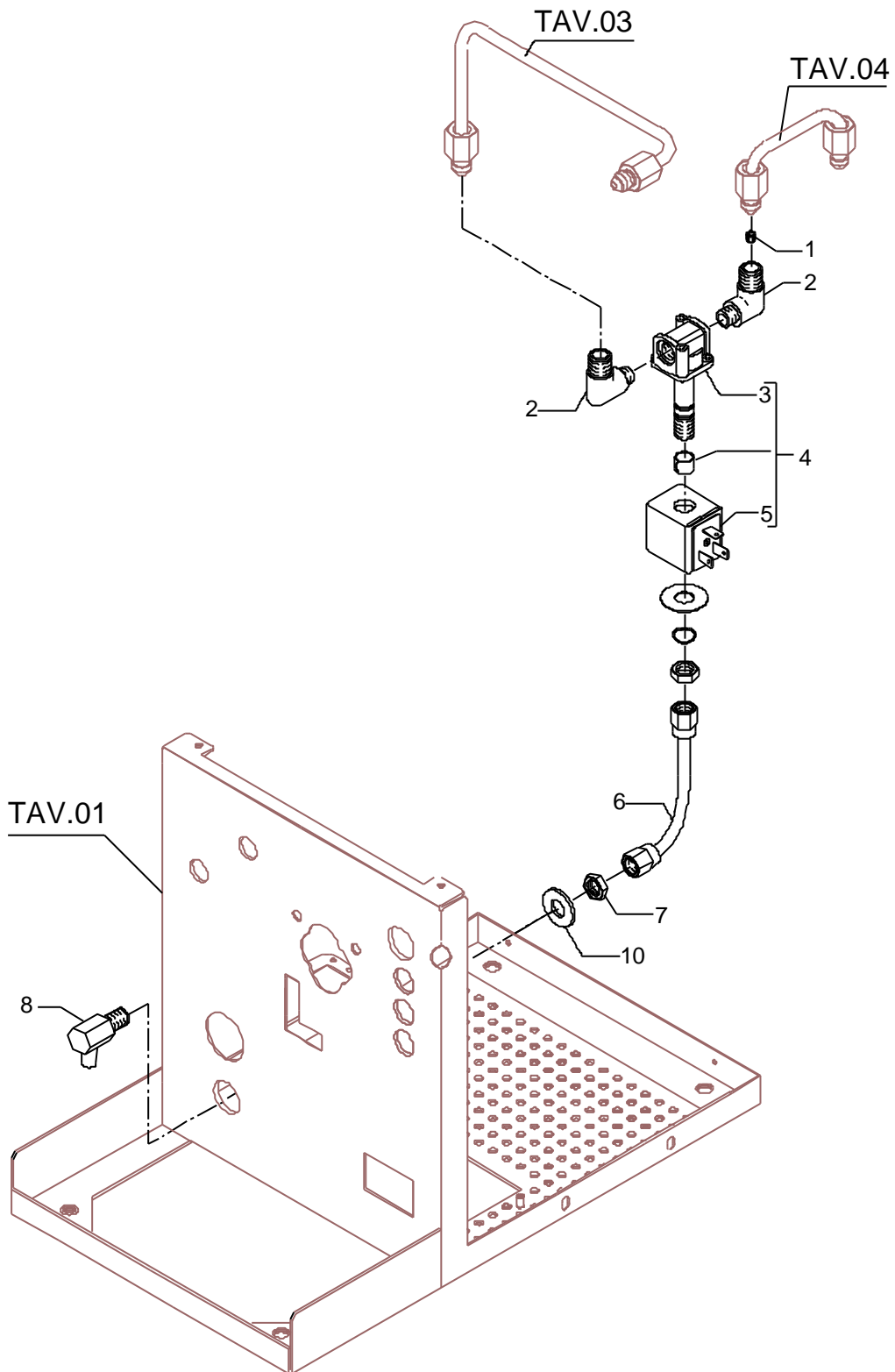
POS	DESCRIPTION	CODE	REFERENCE
1	BIPOLAR SWITCH	7633331	-
8	GREEN LAMP 110/240V	7633602	-
9	ORANGE LAMP 110/240V	7633604	-
10	MICROSWITCH	7633907	-
11	FAIRLEAD WITH HOLE RUBBER	7614007	-
12	NUT PG13,5 POLYAMIDE	7614006	-
13	CABLE WITH SHUKO PLUG	7555001	-
13	CABLE WITH USA PLUG	7551001	-
13	CABLE WITH AUSTRALIAN PLUG	7552001	-
14	LEVEL REGULATOR 2 PROBE 230V	7661036R	-
14	LEVEL REGULATOR 2 PROBE 115V	7661037R	-
14	LEVEL REGULATOR 2 PROBE 240V	7661038R	-
15	LEVEL REGULATOR SUPPORT	5058433LW	-
16	SCREW TTEI M4X25 INOX	7819911	-
17	SCREW TE M4X16 UNI 5739 OT	7826402	-
18	PRESSURE GAUGE 2,5 BAR	7432508	-
18	PRESSURE GAUGE DOUBLE SCALE	7432524	-
19	PRESSURE GAUGE CAPILLARY	7400901	-
20	GROUP FRONTAL PM	5074446LW	-
20	GROUP FRONTAL PM WHIT DUAL GAUGE SCALE	5074450LW	-
21	CLAMP 3 CONTACTS	7612511	-
22	PRESSURE GAUGE CAPILLARY WHIT DUAL GAUGE SCALE	7400902	-



POS	DESCRIPTION	CODE	REFERENCE
1	BIPOLAR SWITCH	7633331	-
2	GASKET	7493014	-
3	STRIP-LINE 8 POLES	7636604	-
4	SPACER D6X8.8	5191506	-
5	SPACER M3 ES.6 H10	5222205	-
6	COVER	7370505	-
7	PUSH-BUTTON PANEL	7665010	-
8	GREEN LAMP 110/240V	7633602	-
9	ORANGE LAMP 110/240V	7633604	-
10	MICROSWITCH	7633907	-
11	FAIRLEAD WITH HOLE RUBBER	7614007	-
12	NUT PG13,5 POLYAMIDE	7614006	-
13	CABLE WITH SHUKO PLUG	7555001	-
13	CABLE WITH USA PLUG	7551001	-
13	CABLE WITH AUSTRALIAN PLUG	7552001	-
14	DOSAGE 3S 220/230V	7662651.01	-
14	DOSAGE 3S 240V	7662652.01	-
14	DOSAGE 3S 110V	7662650.01	-
15	LEVEL REGULATOR SUPPORT	5058433LW	-
16	SCREW TTEI M4X25 INOX	7819911	-
17	SCREW TE M4X16 UNI 5739 OT	7826402	-
18	PRESSURE GAUGE 2,5 BAR	7432508	-
18	PRESSURE GAUGE DOUBLE SCALE	7432524	-
19	PRESSURE GAUGE CAPILLARY	7400901	-
20	GROUP FRONTAL DE	5074447LW	-
20	GROUP FRONTAL DE WHIT DUAL GAUGE SCALE	5074451LW	-
21	CLAMP 3 CONTACTS	7612511	-
22	PRESSURE GAUGE CAPILLARY WHIT DUAL GAUGE SCALE	7400902	-



POS	DESCRIPTION	CODE	REFERENCE
1	JET M6 X 6 HOLE D1.2 OT	5223005	-
2	STRAIGHT FITTING M12X1/8"G OT	5301504	-
3	SOLENOID VALVE WITHOUT COIL SIRAI (UP TO 24.03.08)	7703004	-
3	SOLENOID VALVE WITHOUT COIL PARKER (FROM TO 25.03.08)	7703014	-
4	SOLENOID VALVE 3 WAY 110V SIRAI 15 BAR (UP TO 24.03.08)	7701105	-
4	SOLENOID VALVE 3 WAY 220/230V SIRAI 15 BAR (UP TO 24.03.08)	7702305	-
4	SOLENOID VALVE 3 WAY 240V SIRAI 15 BAR (UP TO 24.03.08)	7702404	-
4	SOLENOID VALVE 3 WAY 115V PARKER (FROM TO 25.03.08)	7701112	-
4	SOLENOID VALVE 3 WAY 230V PARKER (FROM TO 25.03.08)	7702311	-
4	SOLENOID VALVE 3 WAY 240V PARKER (FROM 25.03.08)	7702410	-
5	SOLENOID VALVE COIL 110V SIRAI (UP TO 24.03.08)	7630301	-
5	SOLENOID VALVE COIL 220/230V SIRAI (UP TO 24.03.08)	7630303	-
5	SOLENOID VALVE COIL 240V SIRAI (UP TO 24.03.08)	7630304	-
5	SOLENOID VALVE COIL 115V PARKER (FROM TO 25.03.08)	7630332	-
5	SOLENOID VALVE COIL 230V PARKER (FROM TO 25.03.08)	7630331	-
5	SOLENOID VALVE COIL 240V PARKER (FROM TO 25.03.08)	7630330	-
6	SOLENOID VALVE DRAIN HOSE X SIRAI (UP TO 24.03.08)	5194560LL	-
6	SOLENOID VALVE DRAIN HOSE X PARKER (FROM TO 25.03.08)	5194559LL	-
7	NUT 1/8"G H3	5221844	-
8	DRAIN FITTING FOR SURPRESSION VALVE 1/8"G CHROMED	5283018CM	-
10	WASHER D10 UNI 6592 A2	7815001	-



POS	DESCRIPTION	CODE	REFERENCE
1	COFFEE-PRESS ABS	5373001	-
2	MEASURER ABS	5372101	-
3	BRUSH	7990603	-
4	FILTER 2 CUPS 12 GRAMS	5471007	-
5	FILTER 1 CUP 6 GRAMS	5471004	-
6	BLIND FILTER AISI 304	5471003	-
7	FILTER-HOLDER SPRING D1.4 AISI 302	5471507	-
8	COMPLETE FILTER-HOLDER	7479930	-
9	SPOUT 1 WAY SHORT	7288505	-
10	SPOUT 2 WAY SHORT	7288501	-
11	FILTER-HOLDER KNOB	7371502	-
12	PLUG	5373915CM	-
13	ASSEMBLY FILTER-HOLDER 1 CUP	5965557	-
14	ASSEMBLY FILTER-HOLDER 2 CUPS	5965555	-

